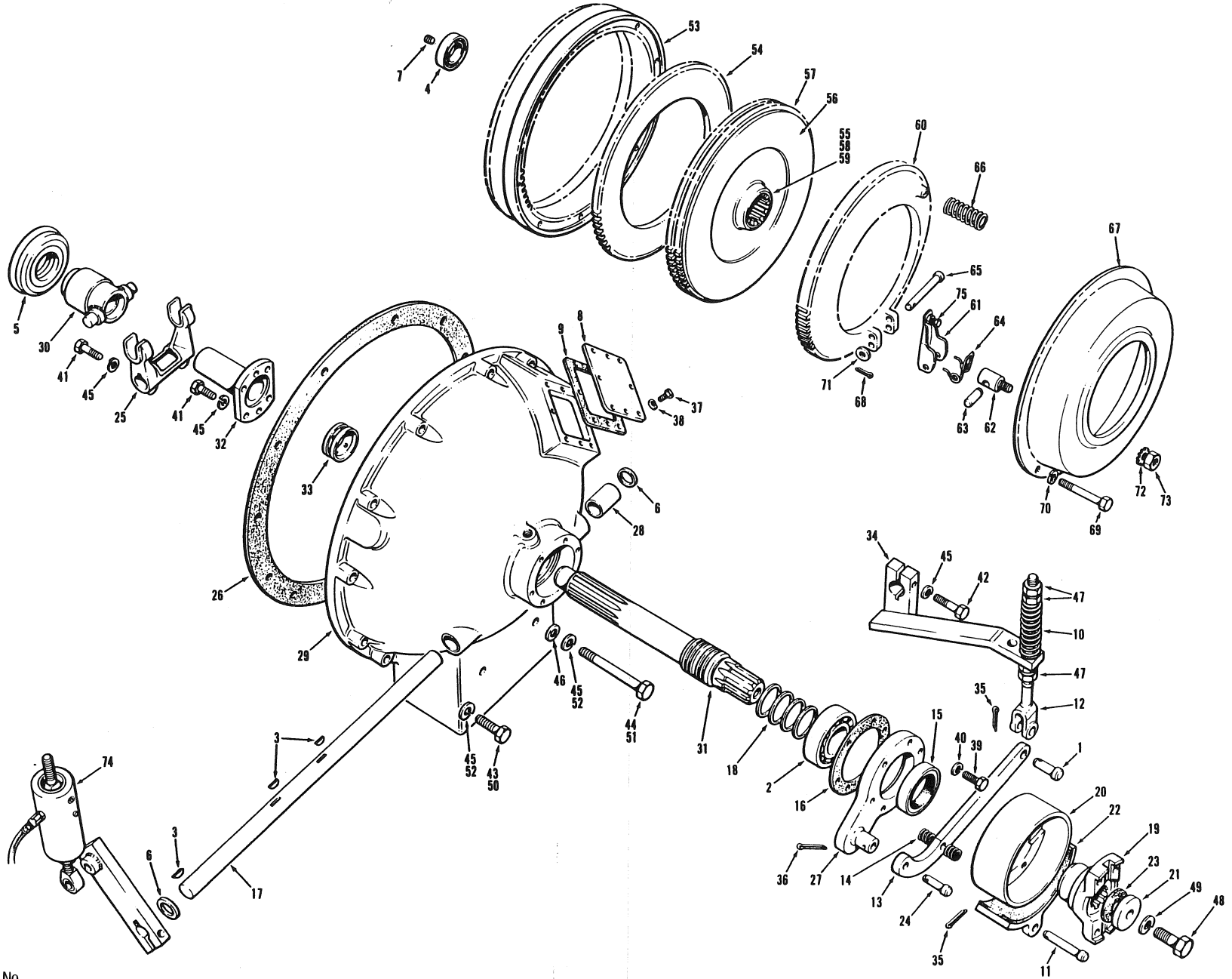


CHAMPION ROAD MACHINERY



ISSUE No.
 N° D'ÉMISSION
 N° DE EDICION 1 REVISION A

CLUTCH ASSEMBLY - MODEL 710 THRU 730A

MAY 1987

FOR LIST OF PARTS - TURN THIS PAGE

POUR LA LISTE DES PIÈCES - VOIR AU VERSO

PARA LA LISTA DE LAS PIEZAS - VER AL VERSO

EFFECTIVE SERIAL NUMBER(S) 16224, 16245 UP TO 16564
 NUMEROS DE SERIE EFFECTIFS
 NUMEROS DE SERIE EFFECTIVOS
 U.S. 2021-2 UP TO 2209-2

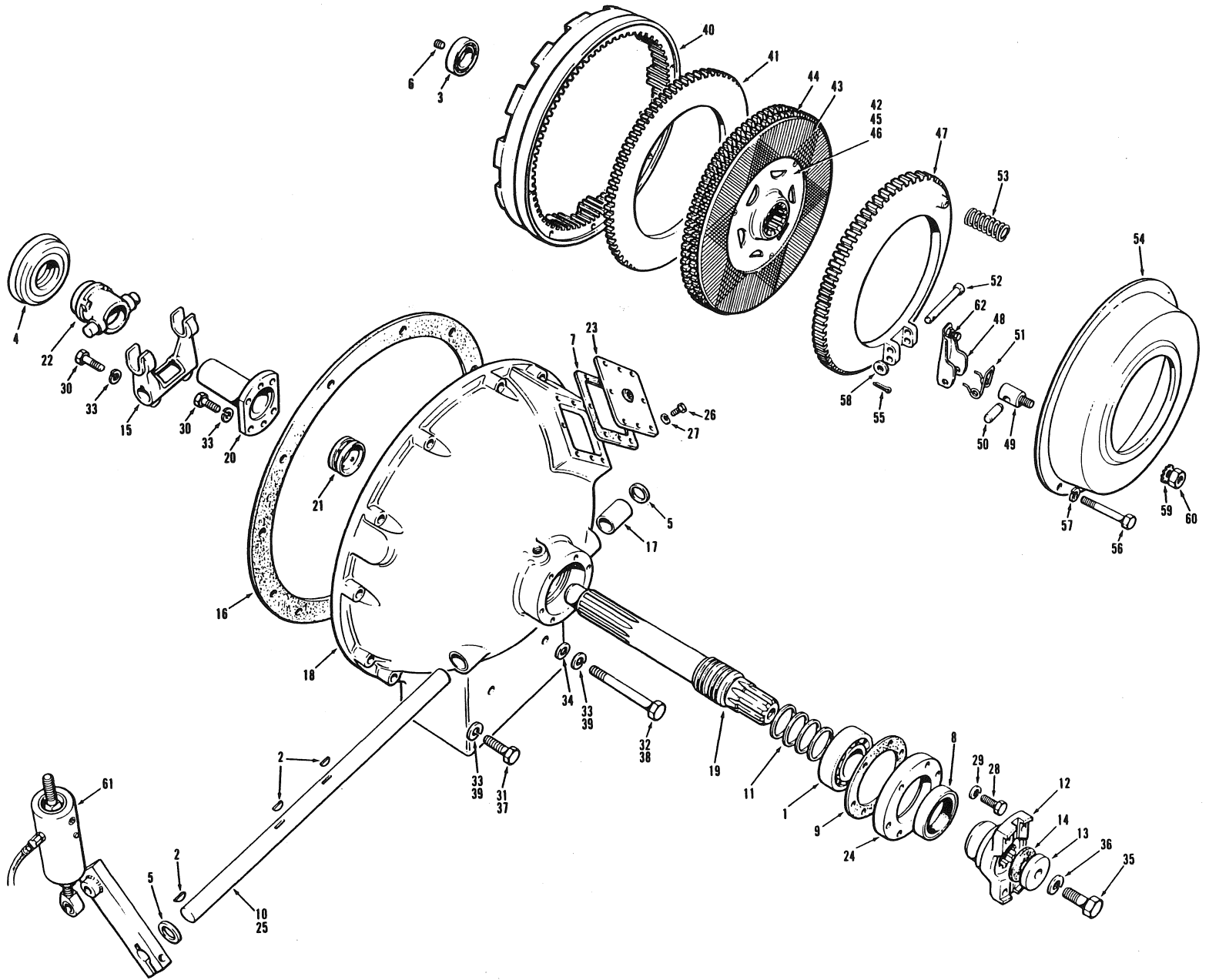
700 SERIES
 SERIE 700

SECTION 5 PAGE 1
 SECCION 5 PAGINA 1

USE ONLY CHAMPION ROAD MACHINERY APPROVED PARTS

| SECTION SECCION | | PAGE PAGINA | ISSUE No. N° D'ÉMISSION N° DE EDICION | 1 REVISION A | | CLUTCH ASSEMBLY - MODEL 710 THRU 730A | | | | MAY 1987 |
|--------------------|--|---|---|-------------------------------|-----------------|--|---|--------------------------------|-------------------------------|----------|
| No. N° N° | PART No. N° DE PIÈCE N° DE PIEZA | DESCRIPTION DESCRIPTION DESCRIPCION | No. REQ. N° REQ. N° REQ. | REMARKS REMARQUES NOTAS | No. N° N° | PART No. N° DE PIECE N° DE PIEZA | DESCRIPTION DESCRIPTION DESCRIPCION | No. REQ. N° REQ. N° REQ. | REMARKS REMARQUES NOTAS | |
| 1 | 665 | CLEVIS PIN | 1 | | 50 | *350A-10060 | BOLT | 8 | 710/710A | |
| 2 | 3546 | BEARING | 1 | | 51 | *350A-10150 | BOLT | 2 | 710/710A | |
| 3 | *20J-0808 | KEY | 3 | | 52 | *314A-10 | LOCKWASHER | 10 | 710/710A | |
| 4 | 3863 | PILOT BEARING | 1 | | | | | | | |
| 5 | 3865 | THRUST BEARING | 1 | | | | | | | |
| 6 | 5202 | OIL SEAL | 2 | | | 36529 | CLUTCH ASSEMBLY - INCLUDES ITEMS 53 TO 71 | 1 | | |
| 7 | 5770-2 | PIPE PLUG | 1 | | | | | | | |
| 8 | 6776 | COVER | 1 | | 53 | 41244 | DRIVE RING | 1 | | |
| 9 | 6680 | GASKET | 1 | | 54 | 41245 | OUTER DISC | 1 | | |
| 10 | 8065 | SPRING | 1 | | | 41246 | DISC & HUB ASSEMBLY - INCLUDES ITEMS 55 TO 59 | 1 | | |
| 11 | 8480 | CLEVIS PIN | 1 | | 55 | 37169 | SPLINED HUB | 1 | | |
| 12 | 10810 | CLEVIS ROD | 1 | | 56 | 37170 | INNER DISC | 3 | | |
| 13 | 10811 | BRAKE ARM | 1 | | 57 | 37171 | OUTER DISC | 2 | | |
| 14 | 10814 | SPRING | 2 | | 58 | 37172 | WASHER | 3 | | |
| 15 | 12941 | OUTER SEAL | 1 | | 59 | 37173 | RIVET | 3 | | |
| 16 | 12948 | GASKET | 1 | | | | | | | |
| 17 | 12952 | SHAFT | 1 | | | 40896 | COVER ASSEMBLY - INCLUDES ITEMS 60 TO 68 & 71 TO 73 | 1 | | |
| 18 | 16496 | SEALING RING | 4 | | | | | | | |
| 19 | 16936 | YOKE | 1 | | 60 | 37174 | PRESSURE PLATE | 1 | | |
| 20 | 17774 | BRAKE DRUM | 1 | | 61 | 37175 | LEVER ASSY. - C/W SCREW & NUT | 3 | | |
| 21 | 17775 | RETAINING WASHER | 1 | | 62 | 37177 | PIVOT BLOCK | 3 | | |
| 22 | 17803 | BRAKE SHOE | 1 | | 63 | 37178 | PIVOT PIN | 3 | | |
| 23 | 17973 | GASKET | 1 | | 64 | 37179 | ANTI-RATTLE SPRING | 3 | | |
| 24 | 18034 | CLEVIS PIN | 1 | | 65 | 37180 | LEVER PIN | 3 | | |
| 25 | 18916 | YOKE | 1 | | 66 | 37181 | SPRING | 15 | | |
| 26 | 25285 | GASKET | 1 | | 67 | 37182 | BACK PLATE | 1 | | |
| 27 | 26378 | SEAL HOUSING | 1 | | | | | | | |
| 28 | 32891 | BUSHING | 2 | | 68 | 13A-0312 | COTTER PIN | 3 | | |
| 29 | 40079 | CLUTCH HOUSING | 1 | | 69 | 50A-0624 | BOLT | 8 | | |
| 30 | 40112 | SLEEVE | 1 | | 70 | 14A-06 | LOCKWASHER | 8 | | |
| 31 | 40113 | CLUTCH SHAFT | 1 | | 71 | 14C-06 | WASHER | 3 | | |
| 32 | 40114 | RELEASE GUIDE | 1 | | 72 | 14J-10 | WASHER | 3 | | |
| 33 | 40117 | SLEEVE | 1 | | 73 | 31D-10 | JAM NUT | 3 | | |
| 34 | 40713 | LEVER ARM | 1 | | | | | | | |
| 35 | 13A-0316 | COTTER PIN | 2 | | 74 | | SLAVE CYLINDER ASSEMBLY | REF. | SECTION 5 PAGES 6 | |
| 36 | 13A-0324 | COTTER PIN | 1 | | | 37176 | LEVER KIT - INCLUDES ITEMS 61, 63, 65, 68 & 71 | A.R. | | |
| 37 | 50A-0406 | BOLT | 8 | | | | | | | |
| 38 | 14A-04 | LOCKWASHER | 8 | | | | | | | |
| 39 | 50A-0508 | BOLT | 8 | | 75 | *42879 | SCREW AND NUT KIT - FOR ITEM 61 | A.R. | | |
| 40 | 14A-05 | LOCKWASHER | 8 | | | | | | | |
| 41 | 50A-0610 | BOLT | 6 | | | | | | | |
| 42 | 50A-0612 | BOLT | 1 | | | | | | | |
| 43 | 50A-0624 | BOLT | 8 | | | | | | | |
| 44 | 50A-0648 | BOLT | 2 | | | | | | | |
| 45 | 14A-06 | LOCKWASHER | 18 | | | | | | | |
| 46 | 14S-06 | SEAL WASHER | 2 | | | | | | | |
| 47 | 31A-08 | NUT | 4 | | | | | | | |
| 48 | 50A-1010 | BOLT | 1 | | | | | | | |
| 49 | 14A-10 | LOCKWASHER | 1 | | | | | | | |

CHAMPION ROAD MACHINERY



ISSUE No.
N° D'ÉMISSION
N° DE EDICION

2 REVISION C

CLUTCH ASSEMBLY - MODELS 710 THRU 730A

JULY 1989

FOR LIST OF PARTS - TURN THIS PAGE

POUR LA LISTE DES PIÈCES - VOIR AU VERSO

PARA LA LISTA DE LAS PIEZAS - VER AL VERSO

EFFECTIVE SERIAL NUMBERS)
NUMEROS(S) DE SÉRIE EFFECTIF(S)
NUMEROS(S) DE SERIE EFFECTIVO(S)
U.S. 2210-2 to 2658-2

16565 to 19339

700 SERIES
SERIE 700

SECTION 5

PAGE 1

1

USE ONLY CHAMPION APPROVED PARTS

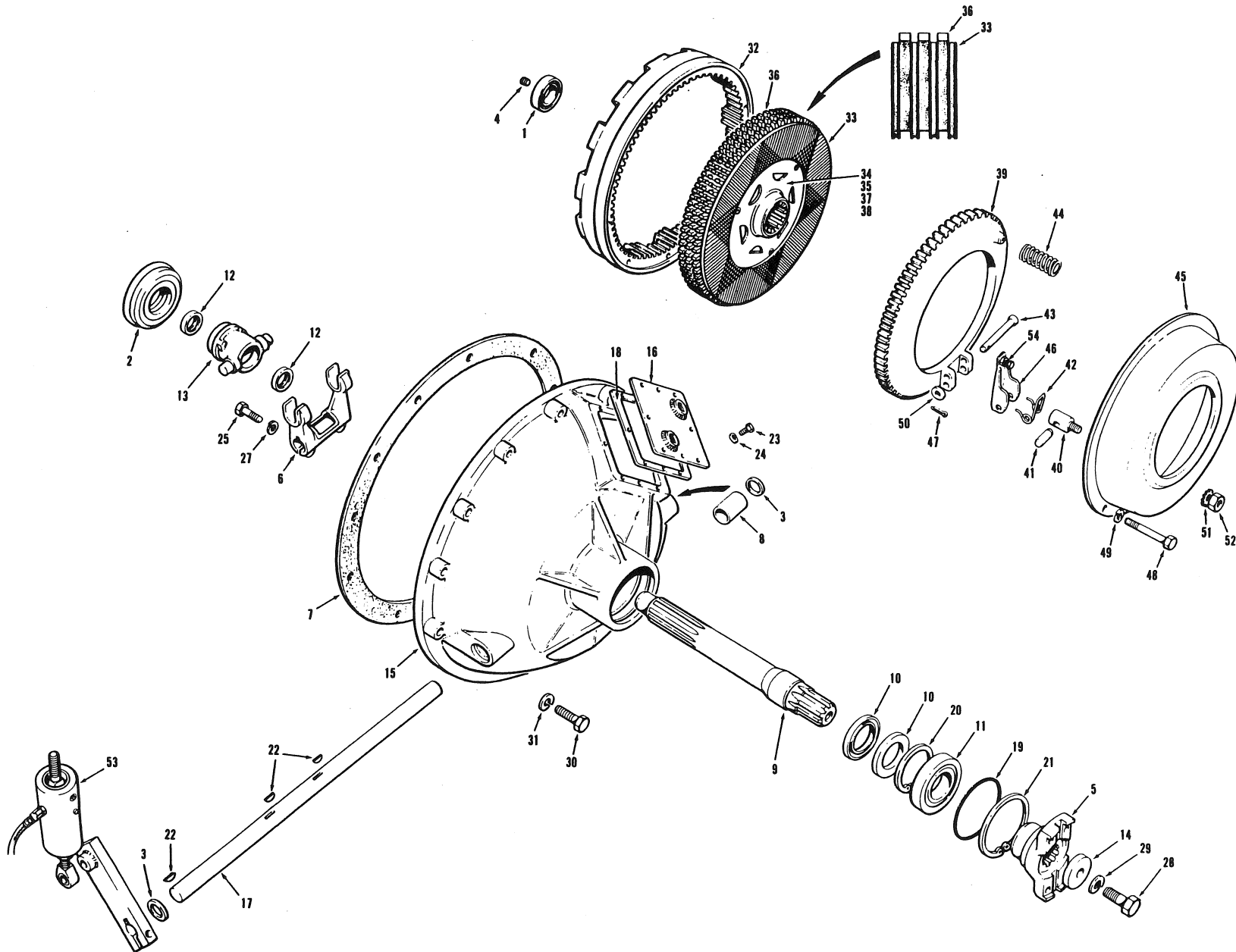
| SECTION 5 | | PAGE 2 | ISSUE No. N° D'ÉMISSION N° DE EDICION | 2 REVISION C | CLUTCH ASSEMBLY - MODELS 710 THRU 730A | | | | JULY 1989 | |
|-----------------|--|---|---|--------------------------------------|--|--|--|--------------------------------|-------------------------------|--|
| No. N° N° | PART No. N° DE PIÈCE N° DE PIEZA | DESCRIPTION DÉSCRIPTION DESCRIPCION | No. REQ. N° REQ. N° REQ. | REMARKS REMARQUES NOTAS | No. N° N° | PART No. N° DE PIÈCE N° DE PIEZA | DESCRIPTION DÉSCRIPTION DESCRIPCION | No. REQ. N° REQ. N° REQ. | REMARKS REMARQUES NOTAS | |
| 1 | 3546 | BEARING | 1 | | | 36529 | CLUTCH ASSEMBLY -INCLUDES ITEMS 40 TO 58 | 1 | | |
| 2 | 20J-0808 | KEY | 3 | | | | | | | |
| 3 | 3863 | PILOT BEARING | 1 | | 40 | 41244 | DRIVE RING | 1 | | |
| 4 | 3865 | THRUST BEARING | 1 | | 41 | 37171 | OUTER DISC | 1 | | |
| 5 | 5202 | OIL SEAL | 2 | | | | | | | |
| 6 | 5770-2 | PIPE PLUG | 1 | | | 41246 | DISC & HUB ASSY.- INCLUDES ITEMS 42 TO 46 | 1 | | |
| 7 | 6680 | GASKET | 1 | | | | | | | |
| 8 | 12941 | OUTER SEAL | 1 | | 42 | 37169 | SPLINED HUB | 1 | | |
| 9 | 12948 | GASKET | 1 | | 43 | 37170 | INNER DISC | 3 | | |
| 10 | 12952 | SHAFT | 1 | U.S.SERIAL NO.2210-2 TO 2269-2 | 44 | 37171 | OUTER DISC | 2 | | |
| 11 | 16496 | SEALING RING | 4 | | 45 | 37172 | WASHER | 6 | | |
| 12 | 16936 | YOKE | 1 | | 46 | 46362 | RIVET | 3 | | |
| 13 | 17775 | RETAINING WASHER | 1 | | | 40896 | COVER ASSEMBLY - INCLUDES ITEMS 47 TO 55 & 58 TO 60 | 1 | | |
| 14 | 17973 | GASKET | 1 | | | 47 | 37174 | PRESSURE PLATE | 1 | |
| 15 | 18916 | YOKE | 1 | | | 48 | 37175 | LEVER ASSY. - C/W SCREW & NUT | 3 | |
| 16 | 25285 | GASKET | 1 | | 49 | 37177 | PIVOT BLOCK | 3 | | |
| 17 | 32891 | BUSHING | 2 | | 50 | 37178 | PIVOT PIN | 3 | | |
| 18 | 40079 | CLUTCH HOUSING | 1 | | 51 | 37179 | ANTI-RATTLE SPRING | 3 | | |
| 19 | *53965 | CLUTCH SHAFT | 1 | | 52 | 37180 | LEVER PIN | 3 | | |
| 20 | 40114 | RELEASE GUIDE | 1 | | 53 | 37181 | SPRING | 15 | | |
| 21 | 40117 | SLEEVE | 1 | | 54 | 37182 | BACK PLATE | 1 | | |
| 22 | 41403 | SLEEVE | 1 | | | | | | | |
| 23 | 41541 | COVER | 1 | | 55 | 13A-0312 | COTTER PIN | 3 | | |
| 24 | 41565 | SEAL HOUSING | 1 | | 56 | 50A-0624 | BOLT | 8 | | |
| 25 | 41569 | SHAFT | 1 | | 57 | 14A-06 | LOCKWASHER | 8 | | |
| 26 | 50A-0406 | BOLT | 8 | | 58 | 14C-06 | WASHER | 3 | | |
| 27 | 14A-04 | LOCKWASHER | 8 | | 59 | 14J-10 | WASHER | 3 | | |
| 28 | 50A-0508 | BOLT | 7 | | 60 | 31D-10 | JAM NUT | 3 | | |
| 29 | 14A-05 | LOCKWASHER | 6 | | 61 | | SLAVE CYLINDER ASSEMBLY | REF. | SECTION 5 | |
| 30 | 50A-0610 | BOLT | 6 | | | | | | PAGE 6 | |
| 31 | 50A-0624 | BOLT | 8 | | | 37176 | LEVER KIT - INCLUDES ITEMS 48,50,52, 55 & 58 | A.R. | | |
| 32 | 50A-0648 | BOLT | 2 | | 62 | 42879 | SCREW AND NUT KIT - FOR ITEM 48 | A.R. | | |
| 33 | 14A-06 | LOCKWASHER | 18 | | | | | | | |
| 34 | 14S-06 | SEAL WASHER | 2 | | | | | | | |
| 35 | 50A-1010 | BOLT | 1 | | | | | | | |
| 36 | 14A-10 | LOCKWASHER | 1 | | | | | | | |
| 37 | 350A-10060 | BOLT | 8 | 710/710A | | | | | | |
| 38 | 350A-10150 | BOLT | 2 | 710/710A | | | | | | |
| 39 | 314A-10 | LOCKWASHER | 10 | 710/710A | | | | | | |

EFFECTIVE SERIAL NUMBERS
 NUMEROS DE SÉRIE EFFECTIFS
 NUMEROS DE SERIE EFECTIVOS

Models 710 thru 730A: 19340 & UP
 Modells 740 thru 780A: 19651 & UP

700 SERIES
 SERIE 700

SECTION 5 PAGE 1
 SECCION 5 PAGINA 1



ISSUE No.
 N° D'ÉMISSION
 N° DE EDICION **3 REVISION A**

CLUTCH ASSEMBLY - MODELS 710 THRU 780A

JULY 1989

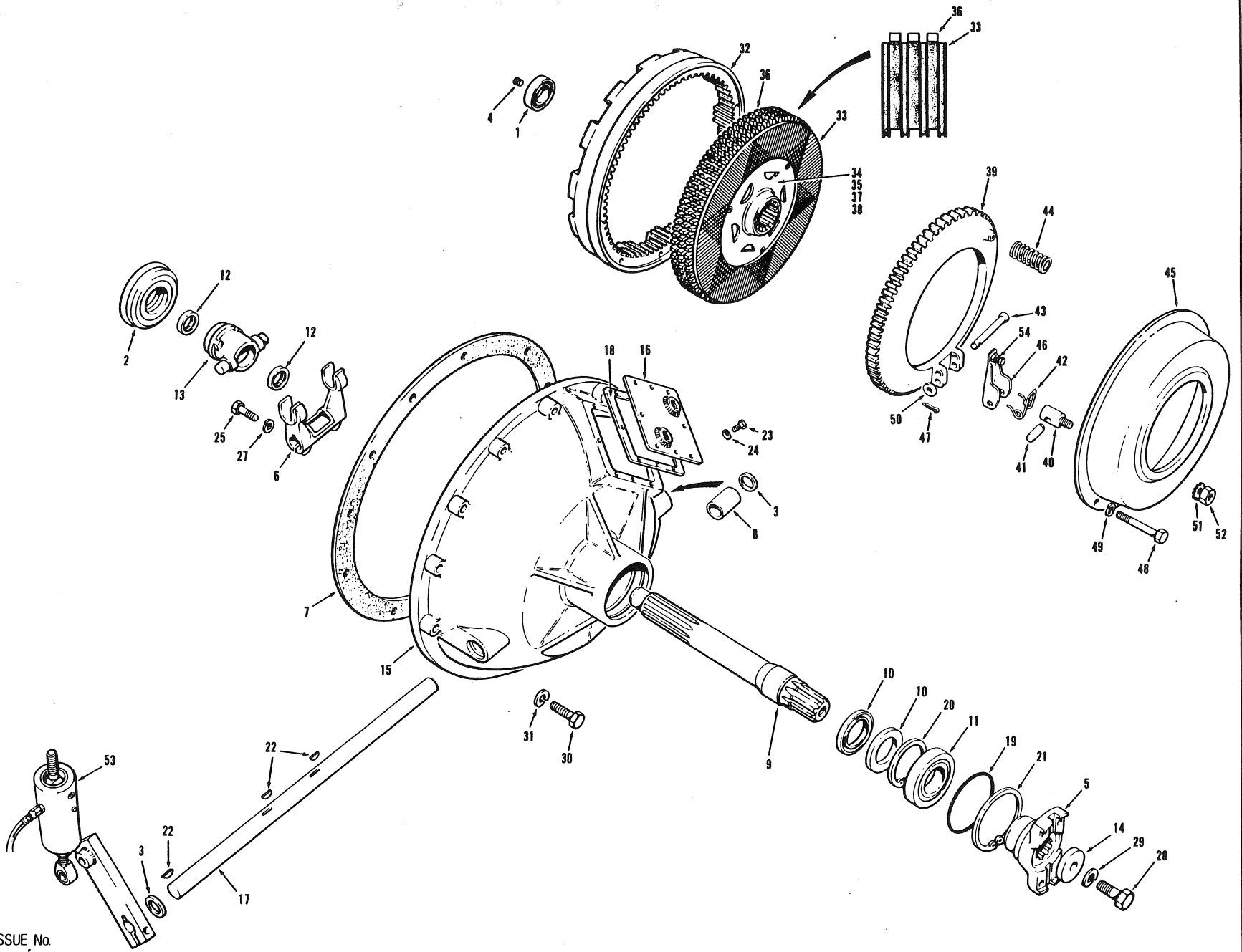
FOR LIST OF PARTS - TURN THIS PAGE

POUR LA LISTE DES PIÈCES - VOIR AU VERSO

PARA LA LISTA DE LAS PIEZAS - VER AL VERSO

USE ONLY **CHAMPION** APPROVED PARTS
ROAD MACHINERY

| SECTION SECCION | | PAGE PAGINA | | ISSUE No. N° D'ÉMISSION N° DE EDICION | | 3 REVISION A | | CLUTCH ASSEMBLY - MODELS 710 THRU 780A | | | JULY 1989 | |
|--------------------|--|---|--|---|-------------------------------|-----------------|--|---|--|--------------------------------|-------------------------------|--|
| No. N° N° | PART No. N° DE PIÈCE N° DE PIEZA | DESCRIPTION DÉSCRIPTION DESCRIPCION | | No. REQ. N° REQ. N° REQ. | REMARKS REMARQUES NOTAS | No. N° N° | PART No. N° DE PIECE N° DE PIEZA | DESCRIPTION DÉSCRIPTION DESCRIPCION | | No. REQ. N° REQ. N° REQ. | REMARKS REMARQUES NOTAS | |
| 1 | 3863 | PILOT BEARING | | 1 | | | | CLUTCH ASSEMBLY - INCLUDES ITEMS 32 TO 51 | | 1 | | |
| 2 | 3865 | THRUST BEARING | | 1 | | | 37677 | | | | | |
| 3 | 5202 | OIL SEAL | | 2 | | 32 | 49990 | DRIVE RING | | 1 | | |
| 4 | 5770-2 | PIPE PLUG | | 1 | | | | | | | | |
| 5 | 16936 | YOKE | | 1 | | | *49984 | DISC & HUB ASSEMBLY - INCLUDES ITEMS 33 TO 38 | | 1 | | |
| 6 | 18916 | YOKE | | 1 | | | | | | | | |
| 7 | 25285 | GASKET | | 1 | | 33 | 37170 | INNER DISC | | 4 | | |
| 8 | 32891 | BUSHING | | 2 | | 34 | 37172 | WASHER | | 3 | | |
| 9 | 37815 | CLUTCH SHAFT | | 1 | | 35 | 49986 | SPLINED HUB | | 1 | | |
| 10 | 37816 | SEAL | | 2 | | 36 | 49987 | OUTER DISC | | 3 | | |
| 11 | 37817 | BEARING | | 1 | | 37 | 49988 | RIVET | | 3 | | |
| 12 | 37819 | BEARING | | 2 | | 38 | 49989 | RETAINER | | 1 | | |
| 13 | 37820 | SLEEVE | | 1 | | | | | | | | |
| 14 | 37919 | RETAINING WASHER | | 1 | | | 49985 | COVER ASSEMBLY - INCLUDES ITEMS 39 TO 47 | | 1 | | |
| 15 | 38028 | CLUTCH HOUSING | | 1 | | | | | | | | |
| 16 | 48389 | COVER | | 1 | | 39 | 37174 | PRESSURE PLATE | | 1 | | |
| 17 | 48740 | SHAFT | | 1 | | 40 | 37177 | PIVOT BLOCK | | 3 | | |
| 18 | 48743 | GASKET | | 1 | | 41 | 37178 | PIVOT PIN | | 3 | | |
| 19 | 12A-242 | O RING | | 1 | | 42 | 37179 | ANTI-RATTLE SPRING | | 3 | | |
| 20 | 19B-287 | RETAINER RING | | 1 | | 43 | 37180 | LEVER PIN | | 3 | | |
| 21 | 19B-393 | RETAINER RING | | 1 | | 44 | 37181 | SPRING | | 15 | | |
| 22 | 20J-0808 | KEY | | 3 | | 45 | 37182 | BACK PLATE | | 1 | | |
| | | | | | | 46 | *49991 | LEVER ASSEMBLY - C/W SCREW | | 3 | | |
| 23 | 50A-0406 | BOLT | | 8 | | | | | | | | |
| 24 | 14A-04 | LOCKWASHER | | 8 | | 47 | 13A-0312 | COTTER PIN | | 3 | | |
| 25 | 50A-0610 | BOLT | | 2 | | 48 | 50A-0626 | BOLT | | 8 | | |
| 27 | 14A-06 | LOCKWASHER | | 2 | | 49 | 14A-06 | LOCKWASHER | | 8 | | |
| 28 | 50A-1010 | BOLT | | 1 | | 50 | 14C-06 | FLATWASHER | | 3 | | |
| 29 | 14A-10 | LOCKWASHER | | 1 | | 51 | 14J-10 | WASHER | | 3 | | |
| 30 | 350A-10060 | BOLT | | 10 | | 52 | 31D-10 | JAM NUT | | 3 | | |
| 31 | 314A-10 | LOCKWASHER | | 10 | | | | | | | | |
| | | | | | | 53 | | SLAVE CYLINDER ASSEMBLY | | REF. | SECTION 5 PAGE 6 | |
| | | | | | | | 53249 | LEVER KIT - INCLUDES ITEMS 43, 46, 47 & 50 | | A.R. | | |
| | | | | | | 54 | *54531 | SCREW FOR ITEM 46 | | A.R. | | |



ISSUE No.
 N° D'ÉMISSION
 N° DE EDICION 4

CLUTCH ASSEMBLY - Models 710 thru 780A

APRIL 1991

FOR LIST OF PARTS - TURN THIS PAGE

POUR LA LISTE DES PIÈCES - VOIR AU VERSO

PARA LA LISTA DE LAS PIEZAS - VER AL VERSO

USE ONLY  CHAMPION ROAD MACHINERY APPROVED PARTS

EFFECTIVE SERIAL NUMBER(S)
 NUMERO(S) DE SERIE EFFECTIF(S)
 NUMERO(S) DE SERIE EFECTIVO(S)

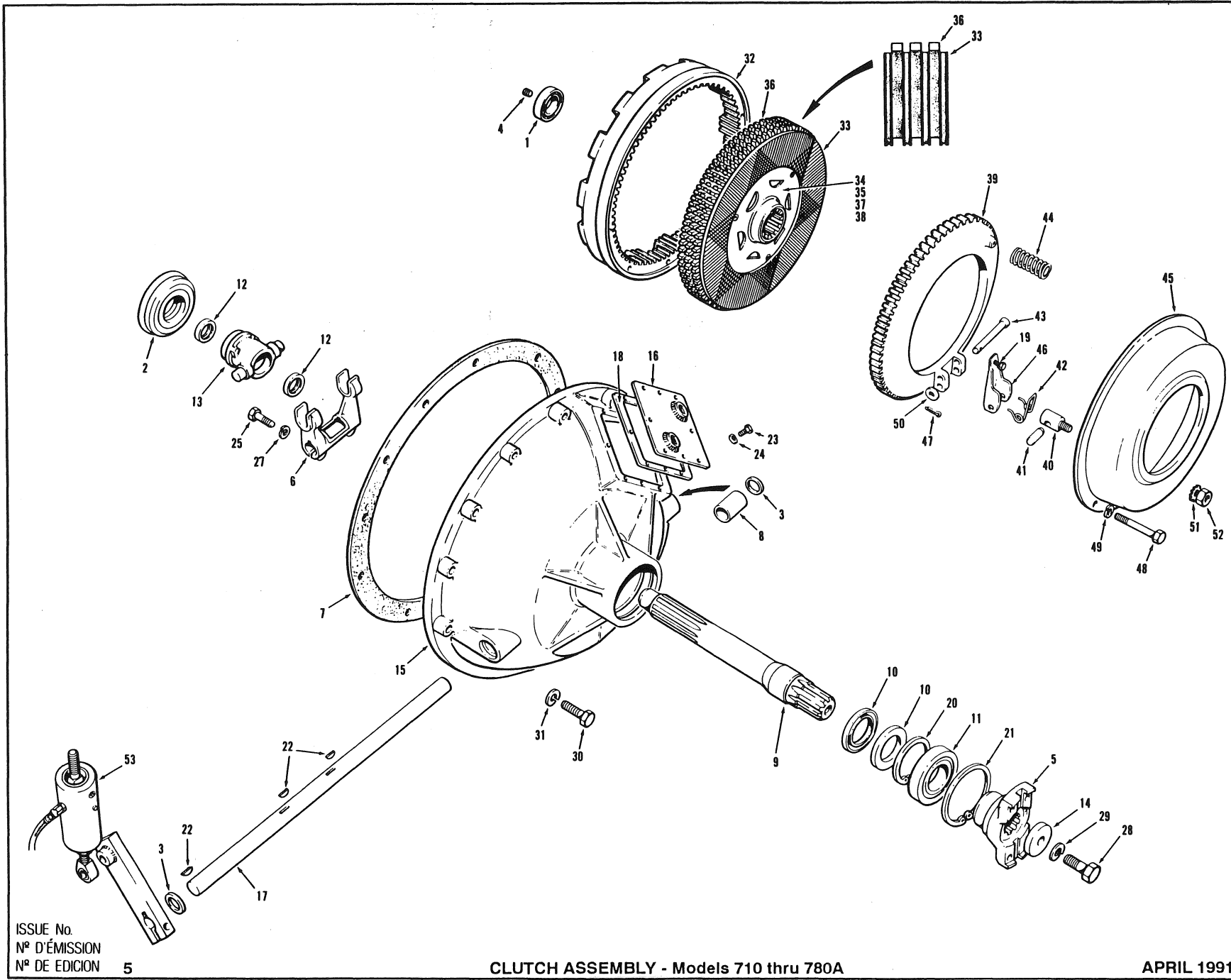
20350, 20356, 20359, 20362,
 20365, 20366, 20370, 20371
 to 21282

700 SERIES
 SERIE 700

SECTION 5
 SECCION 5
 PAGE 1
 PAGINA 1

| No. N° N° | PART No. N° DE PIÈCE N° DE PIEZA | DESCRIPTION DÉSCRIPTION DESCRIPCION | No. REQ. N° REQ. N° REQ. | REMARKS REMARQUES NOTAS | No. N° N° | PART No. N° DE PIECE N° DE PIEZA | DESCRIPTION DÉSCRIPTION DESCRIPCION | No. REQ. N° REQ. N° REQ. | REMARKS REMARQUES NOTAS |
|-----------|----------------------------------|-------------------------------------|--------------------------|-------------------------|-----------|----------------------------------|---------------------------------------|--------------------------|-------------------------|
| 1 | 3863 | PILOT BEARING | 1 | | | 37677 | CLUTCH ASSEMBLY | 1 | |
| 2 | 3865 | THRUST BEARING | 1 | | | | - INCLUDES ITEMS 32 to 51 | | |
| 3 | 5202 | OIL SEAL | 2 | | 32 | 49990 | DRIVE RING | 1 | |
| 4 | 5770-2 | PIPE PLUG | 1 | | | | | | |
| 5 | 16936 | YOKE | 1 | | | 49984 | DISC & HUB ASSEMBLY | 1 | |
| 6 | 18916 | YOKE | 1 | | | | - INCLUDES ITEMS 33 to 38 | | |
| 7 | 25285 | GASKET | 1 | | 33 | 37170 | INNER DISC | 4 | |
| 8 | 32891 | BUSHING | 2 | | 34 | 37172 | WASHER | 3 | |
| 9 | 37815 | CLUTCH SHAFT | 1 | | 35 | 49986 | SPLINED HUB | 1 | |
| 10 | 37816 | SEAL | 2 | | 36 | 49987 | OUTER DISC | 3 | |
| 11 | 37817 | BEARING | 1 | | 37 | 49988 | RIVET | 3 | |
| 12 | 37819 | BEARING | 2 | | 38 | 49989 | RETAINER | 1 | |
| 13 | 37820 | SLEEVE | 1 | | | | | | |
| 14 | 37919 | RETAINING WASHER | 1 | | | 49985 | COVER ASSEMBLY | 1 | |
| 15 | *55131 | CLUTCH HOUSING | 1 | | | | - INCLUDES ITEMS 39 to 47 | | |
| 16 | 48389 | COVER | 1 | | 39 | 37174 | PRESSURE PLATE | 1 | |
| 17 | 48740 | SHAFT | 1 | | 40 | 37177 | PIVOT BLOCK | 3 | |
| 18 | 48743 | GASKET | 1 | | 41 | 37178 | PIVOT PIN | 3 | |
| 19 | 12A-242 | O RING | 1 | | 42 | 37179 | ANTI-RATTLE SPRING | 3 | |
| 20 | 19B-287 | RETAINER RING | 1 | | 43 | 37180 | LEVER PIN | 3 | |
| 21 | 19B-393 | RETAINER RING | 1 | | 44 | 37181 | SPRING | 15 | |
| 22 | 20J-0808 | KEY | 3 | | 45 | 37182 | BACK PLATE | 1 | |
| 23 | 50A-0406 | BOLT | 8 | | 46 | 49991 | LEVER ASSEMBLY - C/W SCREW | 3 | |
| 24 | 14A-04 | LOCKWASHER | 8 | | | 53249 | REPAIR KIT FOR 49991 - LEVER ASSEMBLY | | |
| 25 | 50A-0610 | BOLT | 2 | | | | - INCLUDES ITEMS 43, 47 & 50 | 1per | |
| 27 | 14A-06 | LOCKWASHER | 2 | | | | | | |
| 28 | 50A-1010 | BOLT | 1 | | 47 | 13A-0312 | COTTER PIN | 3 | |
| 29 | 14A-10 | LOCKWASHER | 1 | | 48 | 50A-0626 | BOLT | 8 | |
| 30 | 350A-10060 | BOLT | 10 | | 49 | 14A-06 | LOCKWASHER | 8 | |
| 31 | 314A-10 | LOCKWASHER | 10 | | 50 | 14C-06 | FLATWASHER | 3 | |
| | | | | | 51 | 14J-10 | WASHER | 3 | |
| | | | | | 52 | 31D-10 | JAM NUT | 3 | |
| | | | | | 53 | | SLAVE CYLINDER ASSEMBLY | REF. | Sect 5 Pg 6 |
| | | | | | 54 | 54531 | SCREW FOR ITEM 46 | A.R. | |

CHAMPION ROAD MACHINERY



ISSUE No.
 N° D'ÉMISSION
 N° DE EDICION 5

CLUTCH ASSEMBLY - Models 710 thru 780A

APRIL 1991

FOR LIST OF PARTS - TURN THIS PAGE POUR LA LISTE DES PIÈCES - VOIR AU VERSO PARA LA LISTA DE LAS PIEZAS - VER AL VERSO

EFFECTIVE SERIAL NUMBERS) 21283 & UP
 NUMEROS) DE SERIE EFFECTIFS)
 NUMEROS) DE SERIE EFFECTIVOS)

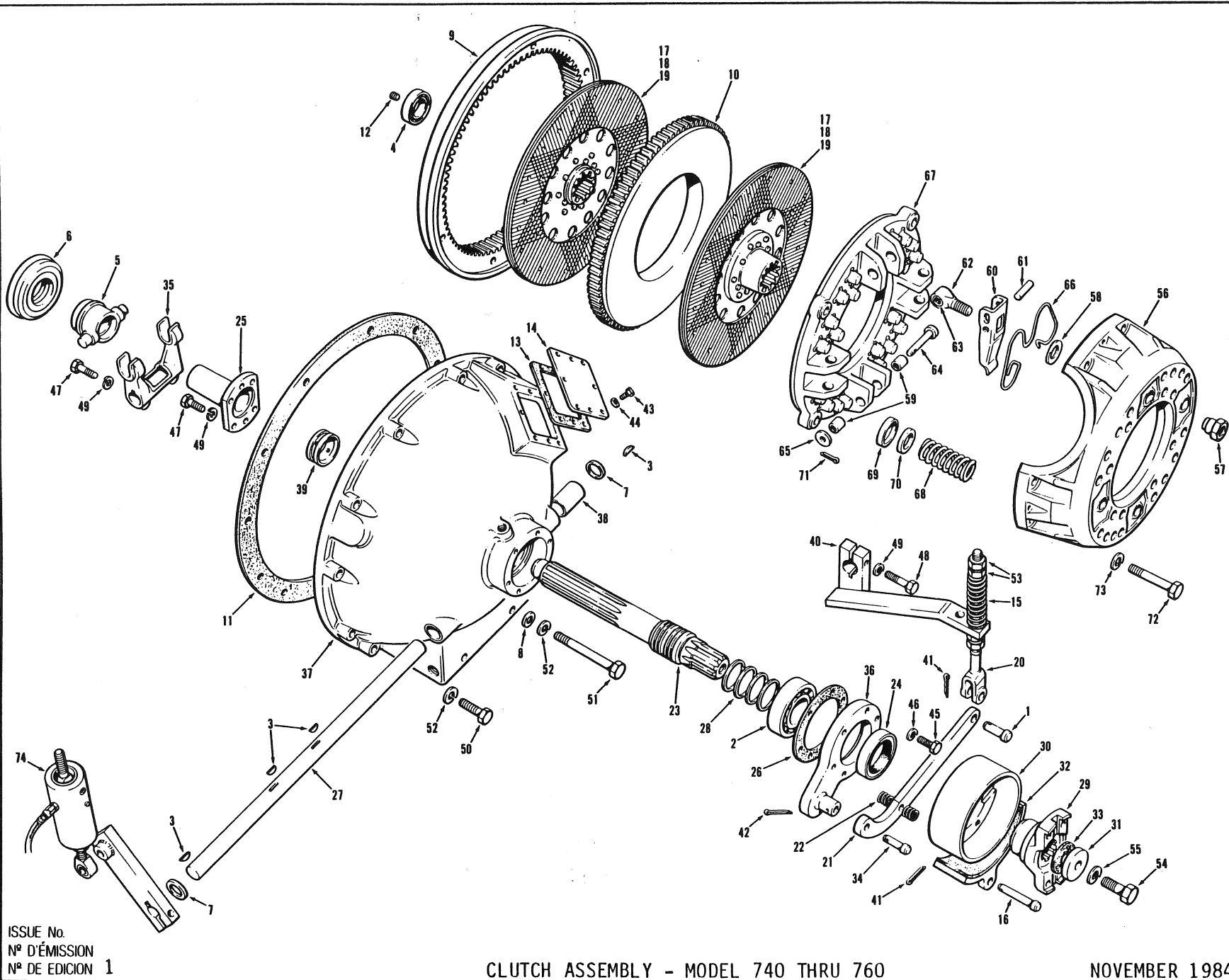
700 SERIES
 SERIE 700

SECTION 5 PAGE 1
 SECCION 5 PAGINA 1

USE ONLY CHAMPION ROAD MACHINERY APPROVED PARTS

| SECTION SECCION | | PAGE PAGINA | | ISSUE No. N° D'ÉMISSION N° DE EDICION | | CLUTCH ASSEMBLY - Models 710 thru 780A | | | | APRIL 1991 | |
|--------------------|--|---|--------------------------------|---|-----------------|--|---|--------------------------------|-------------------------------|------------|--|
| No. N° N° | PART No. N° DE PIECE N° DE PIEZA | DESCRIPTION DÉSCRIPTION DESCRIPCION | No. REQ. N° REQ. N° REQ. | REMARKS REMARQUES NOTAS | No. N° N° | PART No. N° DE PIECE N° DE PIEZA | DESCRIPTION DÉSCRIPTION DESCRIPCION | No. REQ. N° REQ. N° REQ. | REMARKS REMARQUES NOTAS | | |
| 1 | 3863 | PILOT BEARING | 1 | | | 37677 | CLUTCH ASSEMBLY | 1 | | | |
| 2 | 3865 | THRUST BEARING | 1 | | | | - INCLUDES ITEMS 32 to 51 | | | | |
| 3 | 5202 | OIL SEAL | 2 | | 32 | 49990 | DRIVE RING | 1 | | | |
| 4 | 5770-2 | PIPE PLUG | 1 | | | | | | | | |
| 5 | 16936 | YOKE | 1 | | | 49984 | DISC & HUB ASSEMBLY | 1 | | | |
| 6 | 18916 | YOKE | 1 | | | | - INCLUDES ITEMS 33 to 38 | | | | |
| 7 | 25285 | GASKET | 1 | | 33 | 37170 | INNER DISC | 4 | | | |
| 8 | 32891 | BUSHING | 2 | | 34 | 37172 | WASHER | 3 | | | |
| 9 | *59608 | CLUTCH SHAFT | 1 | | 35 | 49986 | SPLINED HUB | 1 | | | |
| 10 | *59538 | SEAL | 2 | | 36 | 49987 | OUTER DISC | 3 | | | |
| 11 | 37817 | BEARING | 1 | | 37 | 49988 | RIVET | 3 | | | |
| 12 | 37819 | BEARING | 2 | | 38 | 49989 | RETAINER | 1 | | | |
| 13 | 37820 | SLEEVE | 1 | | | | | | | | |
| 14 | 37919 | RETAINING WASHER | 1 | | | 49985 | COVER ASSEMBLY | 1 | | | |
| 15 | *59507 | CLUTCH HOUSING | 1 | | | | - INCLUDES ITEMS 39 to 47 | | | | |
| 16 | 48389 | COVER | 1 | | 39 | 37174 | PRESSURE PLATE | 1 | | | |
| 17 | 48740 | SHAFT | 1 | | 40 | 37177 | PIVOT BLOCK | 3 | | | |
| 18 | 48743 | GASKET | 1 | | 41 | 37178 | PIVOT PIN | 3 | | | |
| 19 | 54531 | SCREW FOR ITEM 46 | A.R. | | 42 | 37179 | ANTI-RATTLE SPRING | 3 | | | |
| 20 | 19B-287 | RETAINER RING | 1 | | 43 | 37180 | LEVER PIN | 3 | | | |
| 21 | 19B-393 | RETAINER RING | 1 | | 44 | 37181 | SPRING | 15 | | | |
| 22 | 20J-0808 | KEY | 3 | | 45 | 37182 | BACK PLATE | 1 | | | |
| 23 | 50A-0406 | BOLT | 8 | | 46 | 49991 | LEVER ASSEMBLY - C/W SCREW | 3 | | | |
| 24 | 14A-04 | LOCKWASHER | 8 | | | 53249 | REPAIR KIT FOR 49991 - LEVER ASSEMBLY | | | | |
| 25 | 50A-0610 | BOLT | 2 | | | | - INCLUDES ITEMS 43, 47 & 50 | 1per | | | |
| 27 | 14A-06 | LOCKWASHER | 2 | | | | | | | | |
| 28 | 50A-1010 | BOLT | 1 | | 47 | 13A-0312 | COTTER PIN | 3 | | | |
| 29 | 14A-10 | LOCKWASHER | 1 | | 48 | 50A-0626 | BOLT | 8 | | | |
| 30 | 350A-10060 | BOLT | 10 | | 49 | 14A-06 | LOCKWASHER | 8 | | | |
| 31 | 314A-10 | LOCKWASHER | 10 | | 50 | 14C-06 | FLATWASHER | 3 | | | |
| | | | | | 51 | 14J-10 | WASHER | 3 | | | |
| | | | | | 52 | 31D-10 | JAM NUT | 3 | | | |
| | | | | | 53 | | SLAVE CYLINDER ASSEMBLY | REF. | Sect 5 Pg 6 | | |

CHAMPION ROAD MACHINERY



CLUTCH ASSEMBLY - MODEL 740 THRU 760

NOVEMBER 1984

FOR LIST OF PARTS - TURN THIS PAGE

POUR LA LISTE DES PIÈCES - VOIR AU VERSO

PARA LA LISTA DE LAS PIEZAS - VER AL VERSO

EFFECTIVE SERIAL NUMBERS) 16224, 16245 & UP
 NUMEROS(S) DE SÉRIE EFFECTIF(S)
 NUMEROS(S) DE SÉRIE EFFECTIVOS(S)
 U.S. 2021-2 & UP

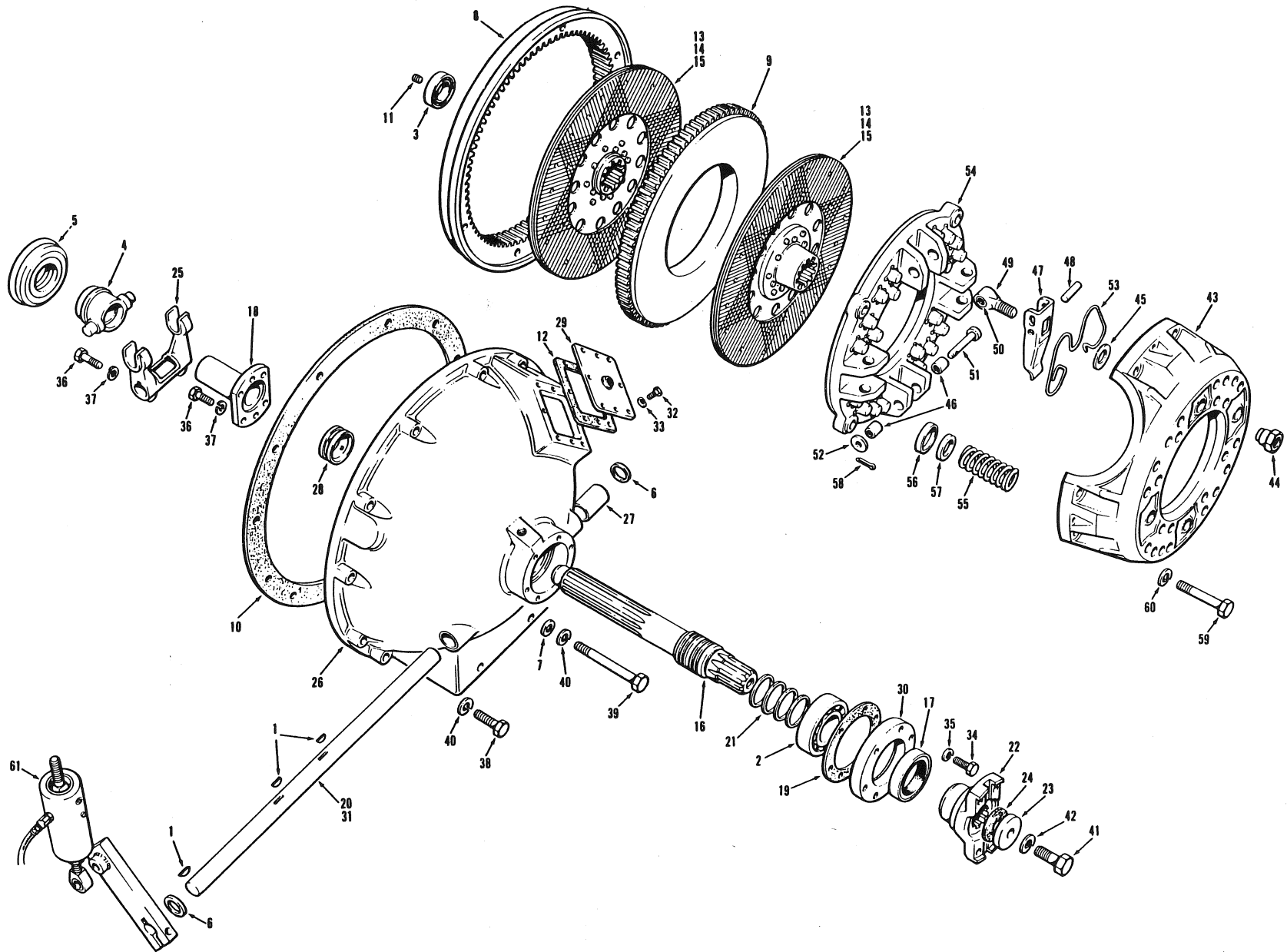
700 SERIES
 SERIE 700

SECTION 5 PAGE 3
 SECCION 5 PAGINA 3

ISSUE No.
 N° D'ÉMISSION
 N° DE EDICION 1

USE ONLY CHAMPION ROAD MACHINERY APPROVED PARTS

CHAMPION ROAD MACHINERY



USE ONLY  CHAMPION ROAD MACHINERY APPROVED PARTS

EFFECTIVE SERIAL NUMBERS)
 NUMEROS) DE SÉRIE EFFECTIFS)
 NUMEROS) DE SERIE EFFECTIVOS)
 U.S. 2420-2 TO 2515-2

16798 TO 19649

700 SERIES
 SERIE 700

SECTION 5 PAGE
 SECCION 5 PAGINA

3

ISSUE No.
 N° D'ÉMISSION
 N° DE EDICION

2 REVISION C

CLUTCH ASSEMBLY - MODEL 740 THRU 780A

MARCH 1989

FOR LIST OF PARTS - TURN THIS PAGE

POUR LA LISTE DES PIÈCES - VOIR AU VERSO

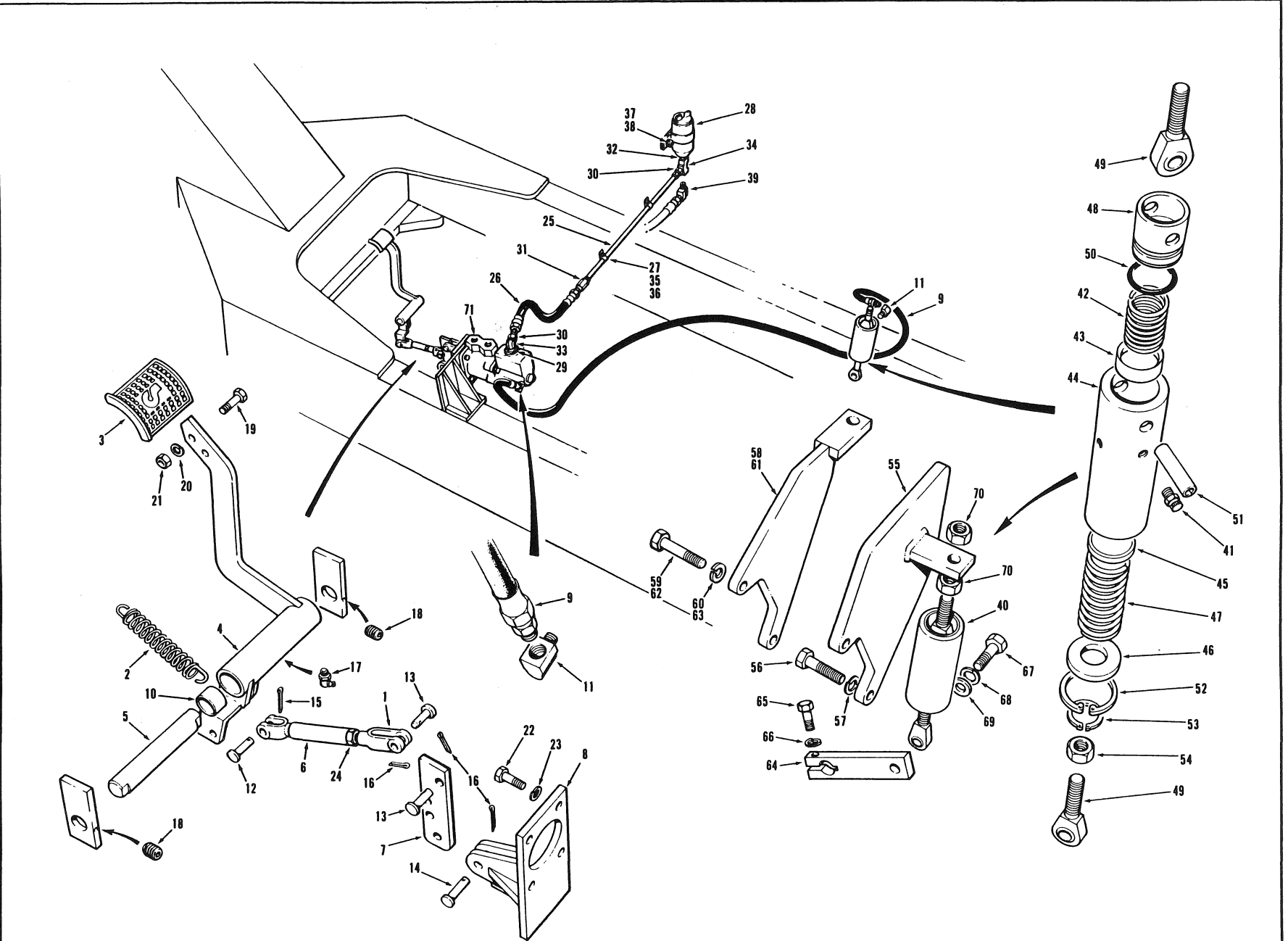
PARA LA LISTA DE LAS PIEZAS - VERA AL VERSO

| SECTION 5 | | PAGE 4 | | ISSUE No. 2 REVISION C | | CLUTCH ASSEMBLY - MODEL 740 THRU 780A | | | MARCH 1989 | |
|-----------------|--|---|-------------------------------|--|-----------------|--|--|-------------------------------|-------------------------------|--|
| SECCION 5 | | PAGINA 4 | | N° D'ÉMISSION 2 REVISION C | | CLUTCH ASSEMBLY - MODEL 740 THRU 780A | | | MARCH 1989 | |
| No. N° N° | PART No. N° DE PIÈCE N° DE PIEZA | DESCRIPTION DÉSCRIPTION DESCRIPCION | No. REQ N° REQ. N° REQ. | REMARKS REMARQUES NOTAS | No. N° N° | PART No. N° DE PIÈCE N° DE PIEZA | DESCRIPTION DÉSCRIPTION DESCRIPCION | No. REQ N° REQ. N° REQ. | REMARKS REMARQUES NOTAS | |
| 1 | 20J-0808 | KEY | 3 | | 32 | 50A-0406 | BOLT | 8 | | |
| 2 | 3546 | BEARING | 1 | | 33 | 14A-04 | LOCKWASHER | 8 | | |
| 3 | 3863 | BEARING | 1 | | 34 | 50A-0508 | BOLT | 6 | | |
| 4 | 3864 | SLEEVE | 1 | | 35 | 14A-05 | LOCKWASHER | 6 | | |
| 5 | 3865 | BEARING | 1 | | 36 | 50A-0610 | BOLT | 6 | | |
| 6 | 5202 | OIL SEAL | 2 | | 37 | 14A-06 | LOCKWASHER | 6 | | |
| 7 | 5459 | WASHER | 2 | | 38 | 50A-0718 | BOLT | 8 | | |
| 8 | 5674 | CLUTCH ADAPTER | 1 | | 39 | 50A-0744 | BOLT | 2 | | |
| 9 | 5675 | SPACER | 1 | | 40 | 14A-07 | LOCKWASHER | 10 | | |
| 10 | 5722 | GASKET | 1 | | 41 | 50A-1010 | BOLT | 1 | | |
| 11 | 5770-2 | PIPE PLUG - SPECIAL | 1 | | 42 | 14A-07 | LOCKWASHER | 1 | | |
| 12 | 6680 | GASKET | 1 | | | | | | | |
| 13 | 9702 | DRIVEN MEMBER - C/W ITEMS 14 & 15 | 2 | | | 5607 | CLUTCH COVER ASSY. - INCLUDES ITEMS 43 TO 58 | 1 | | |
| 14 | 10310 | CORK LINING | 2 | | | | | | | |
| 15 | 10311 | RIVET | 30 | | 43 | | BACK PLATE (ONLY AVAILABLE WITH ASSY.) | 1 | | |
| 16 | 12938 | SHAFT | 1 | | 44 | 1125-2 | ADJUSTING NUT | 4 | | |
| 17 | 12941 | OUTER SEAL | 1 | | 45 | 1125-3 | WASHER | 4 | | |
| 18 | 12942 | BEARING GUIDE | 1 | | 46 | 1125-5 | BEARING | 8 | | |
| 19 | 12948 | GASKET | 1 | | 47 | 1125-6 | LEVER | 4 | | |
| | | | | S/N 16561 & 16562 U.S. S/N 2178-2 UP TO 2272-2 | 48 | 1125-7 | PIVOT PIN | 4 | | |
| 20 | 12952 | SHAFT | 1 | | 49 | 1125-8 | EYE BOLT ASSY. - C/W ITEM 50 | 4 | | |
| | | | | | 50 | 1125-9 | BEARING | 4 | | |
| | | | | | 51 | 1125-11 | PIN | 4 | | |
| | | | | | 52 | 1125-12 | WASHER | 4 | | |
| 21 | 16496 | SEALING RING | 4 | | | 53 | 1125-14 | ANTI-RATTLE SPRING | 4 | |
| 22 | 16936 | YOKE | 1 | | | 54 | 3870 | PRESSURE PLATE - C/W ITEM 46 | 1 | |
| 23 | 17775 | RETAINING WASHER | 1 | | | 55 | 3873 | SPRING | 24 | |
| 24 | 17973 | GASKET | 1 | | | 56 | 3878 | RETAINER WASHER | 24 | |
| 25 | 18916 | YOKE | 1 | | | 57 | 3879 | INSULATING WASHER | 24 | |
| 26 | 48448 | BELL HOUSING - C/W ITEMS 27 & 28 | 1 | | | | | | | |
| 27 | 32891 | BUSHING | 2 | | 58 | 13A-0416 | COTTER PIN | 4 | | |
| 28 | 40472 | SLEEVE | 1 | | 59 | 50A-0828 | BOLT | 8 | | |
| 29 | 41541 | COVER | 1 | | 60 | 14A-08 | LOCKWASHER | 8 | | |
| 30 | 41565 | SEAL HOUSING | 1 | | | | | | | |
| | | | | S/N 16563 & UP U.S. S/N 2273-2 & UP | | 1125-15 | LEVER KIT - INCLUDES ITEMS 47 TO 50 (ONE OF EACH) | A.R. | | |
| 31 | 41569 | SHAFT | 1 | | 61 | | SLAVE CYLINDER ASSEMBLY | REF. | SECTION 5 PAGE 6 | |

EFFECTIVE SERIAL NUMBER(S) 16224,16245 UP TO 16562
NUMERO(S) DE SERIE EFFECTIF(S)
NUMERO(S) DE SERIE EFFECTIVO(S)
U.S. 2021-2 UP TO 2269-2

700 SERIES
SERIE 700

SECTION 5 PAGE 5
SECCION 5 PAGINA 5



ISSUE No.
N° D'ÉMISSION
N° DE EDICION 1 REVISION A

CLUTCH PEDAL, SLAVE CYLINDER & CIRCUIT

MAY 1987

FOR LIST OF PARTS - TURN THIS PAGE

POUR LA LISTE DES PIÈCES - VOIR AU VERSO

PARA LA LISTA DE LAS PIEZAS - VER AL VERSO

USE ONLY CHAMPION ROAD MACHINERY APPROVED PARTS

| SECTION SECCION | | PAGE PAGINA | ISSUE No. N° D'ÉMISSION N° DE EDICION | 1 REVISION A | | CLUTCH PEDAL, SLAVE CYLINDER & CIRCUIT | | | | MAY 1987 |
|--------------------|--|---|---|-------------------------------|-----------------|--|---|--------------------------------|-------------------------------|----------|
| No. N° N° | PART No. N° DE PIÈCE N° DE PIEZA | DESCRIPTION DESCRIPTION DESCRIPCION | No. REQ. N° REQ. N° REQ. | REMARKS REMARQUES NOTAS | No. N° N° | PART No. N° DE PIECE N° DE PIEZA | DESCRIPTION DESCRIPTION DESCRIPCION | No. REQ. N° REQ. N° REQ. | REMARKS REMARQUES NOTAS | |
| 1 | 602 | CLEVIS | 1 | | | | <u>SLAVE CYLINDER INSTALLATION</u> | | | |
| 2 | 670 | SPRING | 1 | | | | | | | |
| 3 | 28647 | PAD | 1 | | 40 | *43322 | SLAVE CYLINDER ASSY. - INCLUDES ITEMS 41 TO 54 | 1 | | |
| 4 | 28741 | LEVER | 1 | | | | | | | |
| 5 | 28744 | SHAFT | 1 | | 41 | 7794 | AIR VENT | 1 | | |
| 6 | 32418 | ROD | 1 | | 42 | 8314 | SPRING | 1 | | |
| 7 | 32420 | WALKING BEAM | 1 | | 43 | *43131 | PISTON CUP | 1 | | |
| 8 | 32421 | PIVOT MOUNT | 1 | | 44 | 17777 | BARREL | 1 | | |
| 9 | 32579 X 60 | HOSE | 1 | | 45 | 17778 | PISTON | 1 | | |
| 10 | 32824 | BUSHING | 2 | | 46 | 17780 | GUIDE | 1 | | |
| 11 | 100J-0402 | ELBOW | 2 | | 47 | 17974 | SPRING | 1 | | |
| 12 | *10A-0618 | CLEVIS PIN | 1 | | 48 | 19834 | CYLINDER HEAD | 1 | | |
| 13 | 10A-0820 | CLEVIS PIN | 2 | | 49 | *17837 | BALL JOINT | 2 | | |
| 14 | 10A-0828 | CLEVIS PIN | 1 | | 50 | 12A-218 | O RING | 1 | | |
| 15 | 13A-0316 | COTTER PIN | 1 | | 51 | 13C-1636 | ROLL PIN | 1 | | |
| 16 | 13A-0420 | COTTER PIN | 3 | | 52 | 19B-175 | SNAP RING | 1 | | |
| 17 | 29F-01 | GREASE FITTING | 1 | | 53 | 19C-087 | SNAP RING | 1 | | |
| 18 | 70B-0405 | SET SCREW | 2 | | 54 | 31D-08 | NUT | 1 | | |
| 19 | 50A-0614 | BOLT | 2 | | 55 | 19832 | BRACKET | 1 | } MODEL 740, 740A & 760 | |
| 20 | 14A-06 | LOCKWASHER | 2 | | 56 | 50A-0722 | BOLT | 2 | | |
| 21 | 30A-06 | NUT | 2 | | 57 | 14A-07 | LOCKWASHER | 2 | | |
| 22 | 50A-0718 | BOLT | 4 | | | | | | | |
| 23 | 14A-07 | LOCKWASHER | 4 | | 58 | 40115 | BRACKET | 1 | } MODEL 720 THRU 730A | |
| 24 | 31D-08 | NUT | 1 | | 59 | 50A-0624 | BOLT | 2 | | |
| | | | | | 60 | 14A-06 | LOCKWASHER | 2 | | |
| | | <u>MASTER CYLINDER RESERVOIR INSTALLATION</u> | | | | | | | | |
| 25 | 18390 | TUBE | 1 | | 61 | 40115 | BRACKET | 1 | } 710/710A | |
| 26 | 24223 X 17 | HOSE | 1 | | 62 | *350A-10075 | BOLT | 2 | | |
| 27 | 25168 | CLIP | 2 | | 63 | *314A-10 | LOCKWASHER | 2 | | |
| 28 | 28958 | AUXILIARY RESERVOIR | 1 | | 64 | 32538 | ARM | 1 | | |
| 29 | 28959 | FILLER CAP | 1 | | | | | | | |
| 30 | 100D-0402 | CONNECTOR | 2 | | 65 | 50A-0612 | BOLT | 1 | | |
| 31 | 100G-0404 | UNION | 1 | | 66 | 14A-06 | LOCKWASHER | 1 | | |
| 32 | 103L-02 | NIPPLE | 1 | | 67 | 50A-0820 | BOLT | 1 | | |
| 33 | 103N-02 | ELBOW | 1 | | 68 | 14A-08 | LOCKWASHER | 1 | | |
| 34 | 103T-02 | TEE | 1 | | 69 | 14C-08 | FLATWASHER | 1 | | |
| 35 | 14A-04 | LOCKWASHER | 2 | | 70 | 31D-08 | NUT | 2 | | |
| 36 | 30A-04 | NUT | 2 | | | | | | | |
| 37 | 14A-06 | LOCKWASHER | 1 | | 71 | | CLUTCH MASTER CYLINDER ASSEMBLY | REF. | SECTION 5 PAGE 8 | |
| 38 | 30A-06 | NUT | 1 | | | | | | | |
| 39 | | BRAKE CIRCUIT | REF. | SECTION 9 PAGE 8 | | | | | | |

EFFECTIVE SERIAL NUMBERS 16563 UP TO 16805
NUMEROS DE SERIE EFFECTIFS
NUMEROS DE SERIE EFECTIVOS
U.S. 2270-2 UP TO 2418-2

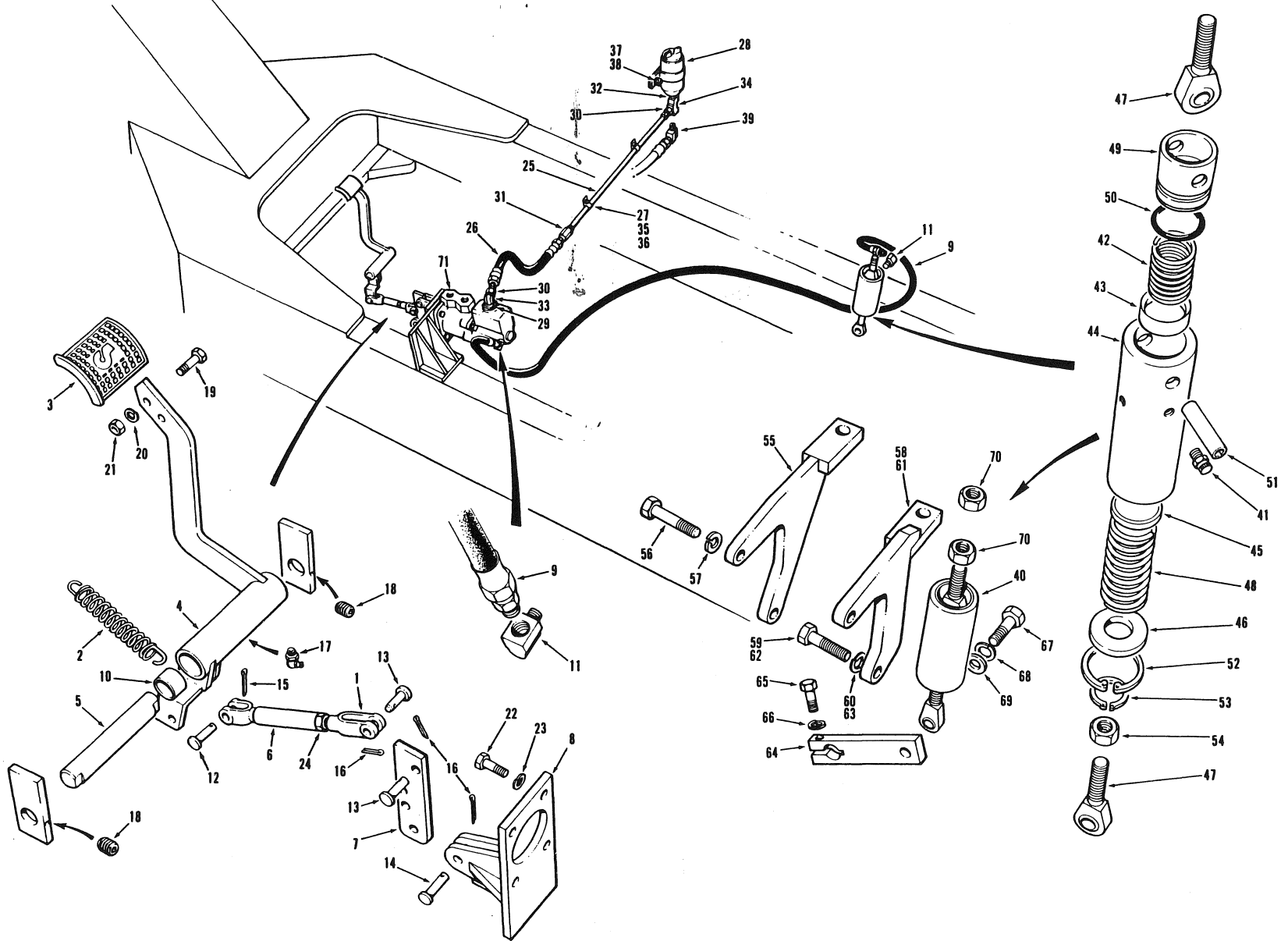
700 SERIES
SERIE 700

SECTION 5 PAGE 5
SECCION 5 PAGINA 5

ISSUE No.
Nº D'ÉMISSION
Nº DE EDICION 2 REVISION A

CLUTCH PEDAL, SLAVE CYLINDER & CIRCUIT

MAY 1987



FOR LIST OF PARTS - TURN THIS PAGE

POUR LA LISTE DES PIÈCES - VOIR AU VERSO

PARA LA LISTA DE LAS PIEZAS - VER AL VERSO

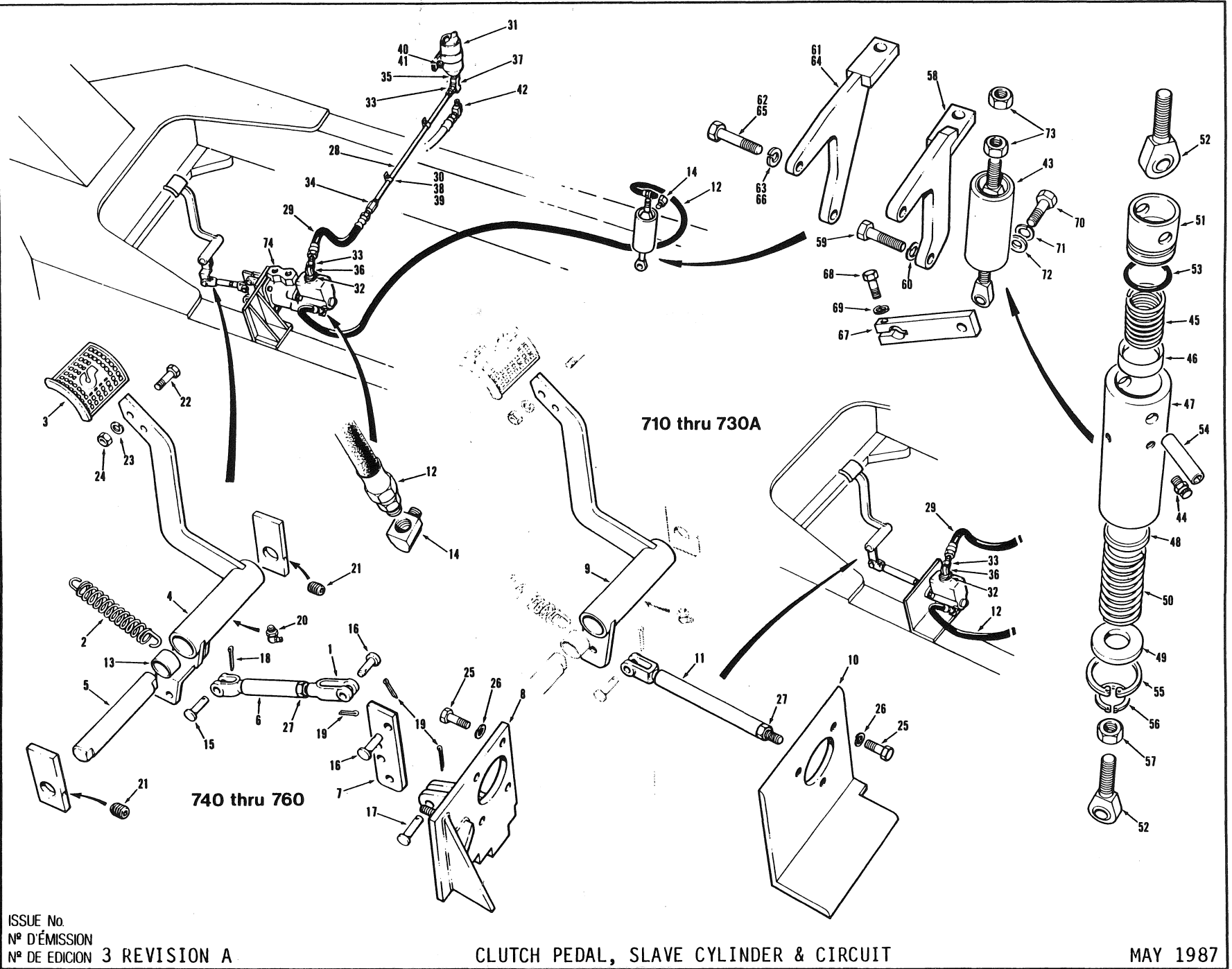
USE ONLY CHAMPION ROAD MACHINERY APPROVED PARTS

| SECTION SECCION 5 | | PAGE PAGINA 6 | | ISSUE No. N° D'ÉMISSION N° DE EDICION 2 REVISION A | | CLUTCH PEDAL, SLAVE CYLINDER & CIRCUIT | | | | MAY 1987 | |
|----------------------|--|---|--------------------------------|--|-----------------|--|---|--------------------------------|-------------------------------|----------|--|
| No. N° N° | PART No. N° DE PIÈCE N° DE PIEZA | DESCRIPTION DÉSCRIPTION DESCRIPCION | No. REQ. N° REQ. N° REQ. | REMARKS REMARQUES NOTAS | No. N° N° | PART No. N° DE PIECE N° DE PIEZA | DESCRIPTION DÉSCRIPTION DESCRIPCION | No. REQ. N° REQ. N° REQ. | REMARKS REMARQUES NOTAS | | |
| | | | | | | | <u>SLAVE CYLINDER INSTALLATION</u> | | | | |
| 1 | 602 | CLEVIS | 1 | | | | | | | | |
| 2 | 670 | SPRING | 1 | | | | | | | | |
| 3 | 28647 | PAD | 1 | | 40 | *43322 | SLAVE CYLINDER ASSY. - INCLUDES ITEMS 41 TO 54 | 1 | | | |
| 4 | 28741 | LEVER | 1 | | | | | | | | |
| 5 | 28744 | SHAFT | 1 | | 41 | 7794 | AIR VENT | 1 | | | |
| 6 | 32418 | ROD | 1 | | 42 | 8314 | SPRING | 1 | | | |
| 7 | 32420 | WALKING BEAM | 1 | | 43 | *43131 | PISTON CUP | 1 | | | |
| 8 | 32421 | PIVOT MOUNT | 1 | | 44 | 17777 | BARREL | 1 | | | |
| 9 | 32579 X 60 | HOSE | 1 | | 45 | 17778 | PISTON | 1 | | | |
| 10 | 32824 | BUSHING | 2 | | 46 | 17780 | GUIDE | 1 | | | |
| 11 | 100J-0402 | ELBOW | 2 | | 47 | 17837 | BALL JOINT | 2 | | | |
| | | | | | 48 | 17974 | SPRING | 1 | | | |
| 12 | *10A-0618 | CLEVIS PIN | 1 | | 49 | 19834 | CYLINDER HEAD | 1 | | | |
| 13 | 10A-0820 | CLEVIS PIN | 2 | | 50 | 12A-218 | O RING | 1 | | | |
| 14 | 10A-0828 | CLEVIS PIN | 1 | | 51 | 13C-1636 | ROLL PIN | 1 | | | |
| 15 | 13A-0316 | COTTER PIN | 1 | | 52 | 19B-175 | SNAP RING | 1 | | | |
| 16 | 13A-0420 | COTTER PIN | 3 | | 53 | 19C-087 | SNAP RING | 1 | | | |
| 17 | 29F-01 | GREASE FITTING | 1 | | 54 | 31D-08 | NUT | 1 | | | |
| 18 | 70B-0405 | SET SCREW | 2 | | | | | | | | |
| 19 | 50A-0614 | BOLT | 2 | | 55 | *41558 | BRACKET | 1 | } MODEL 740, 740A & 760 | | |
| 20 | 14A-06 | LOCKWASHER | 2 | | 56 | 50A-0722 | BOLT | 2 | | | |
| 21 | 30A-06 | NUT | 2 | | 57 | 14A-07 | LOCKWASHER | 2 | | | |
| 22 | 50A-0718 | BOLT | 4 | | | | | | | | |
| 23 | 14A-07 | LOCKWASHER | 4 | | 58 | *41559 | BRACKET | 1 | } MODEL 720 THRU 730A | | |
| 24 | 31D-08 | NUT | 1 | | 59 | 50A-0624 | BOLT | 2 | | | |
| | | | | | 60 | 14A-06 | LOCKWASHER | 2 | | | |
| | | <u>MASTER CYLINDER RESERVOIR INSTALLATION</u> | | | | | | | | | |
| 25 | 18390 | TUBE | 1 | | 61 | *41559 | BRACKET | 1 | } 710/710A | | |
| 26 | 24223 X 17 | HOSE | 1 | | 62 | *350A-10075 | BOLT | 2 | | | |
| 27 | 25168 | CLIP | 2 | | 63 | *314A-10 | LOCKWASHER | 2 | | | |
| 28 | 28958 | AUXILIARY RESERVOIR | 1 | | | | | | | | |
| 29 | 28959 | FILLER CAP | 1 | | 64 | 32538 | ARM | 1 | | | |
| 30 | 100D-0402 | CONNECTOR | 2 | | 65 | 50A-0612 | BOLT | 1 | | | |
| 31 | 100G-0404 | UNION | 1 | | 66 | 14A-06 | LOCKWASHER | 1 | | | |
| 32 | 103L-02 | NIPPLE | 1 | | 67 | 50A-0820 | BOLT | 1 | | | |
| 33 | 103N-02 | ELBOW | 1 | | 68 | 14A-08 | LOCKWASHER | 1 | | | |
| 34 | 103T-02 | TEE | 1 | | 69 | 14C-08 | FLATWASHER | 1 | | | |
| | | | | | 70 | 31D-08 | NUT | 2 | | | |
| 35 | 14A-04 | LOCKWASHER | 2 | | | | | | | | |
| 36 | 30A-04 | NUT | 2 | | 71 | | CLUTCH MASTER CYLINDER ASSEMBLY | REF. | SECTION 5 PAGE 8 | | |
| 37 | 14A-06 | LOCKWASHER | 1 | | | | | | | | |
| 38 | 30A-06 | NUT | 1 | | | | | | | | |
| 39 | | BRAKE CIRCUIT | REF. | SECTION 9 PAGE 8 | | | | | | | |

EFFECTIVE SERIAL NUMBERS) 16806 UP TO 17048
NUMEROS) DE SÉRIE EFFECTIFS)
NUMEROS) DE SÉRIE EFECTIVOS)
U.S. 2419-2 UP TO 2514-2

700 SERIES
SERIE 700

SECTION 5 PAGE 5
SECCION 5 PAGINA 5



ISSUE No.
Nº D'ÉMISSION
Nº DE EDICION 3 REVISION A

CLUTCH PEDAL, SLAVE CYLINDER & CIRCUIT

MAY 1987

FOR LIST OF PARTS - TURN THIS PAGE

POUR LA LISTE DES PIÈCES - VOIR AU VERSO

PARA LA LISTA DE LAS PIEZAS - VER AL VERSO

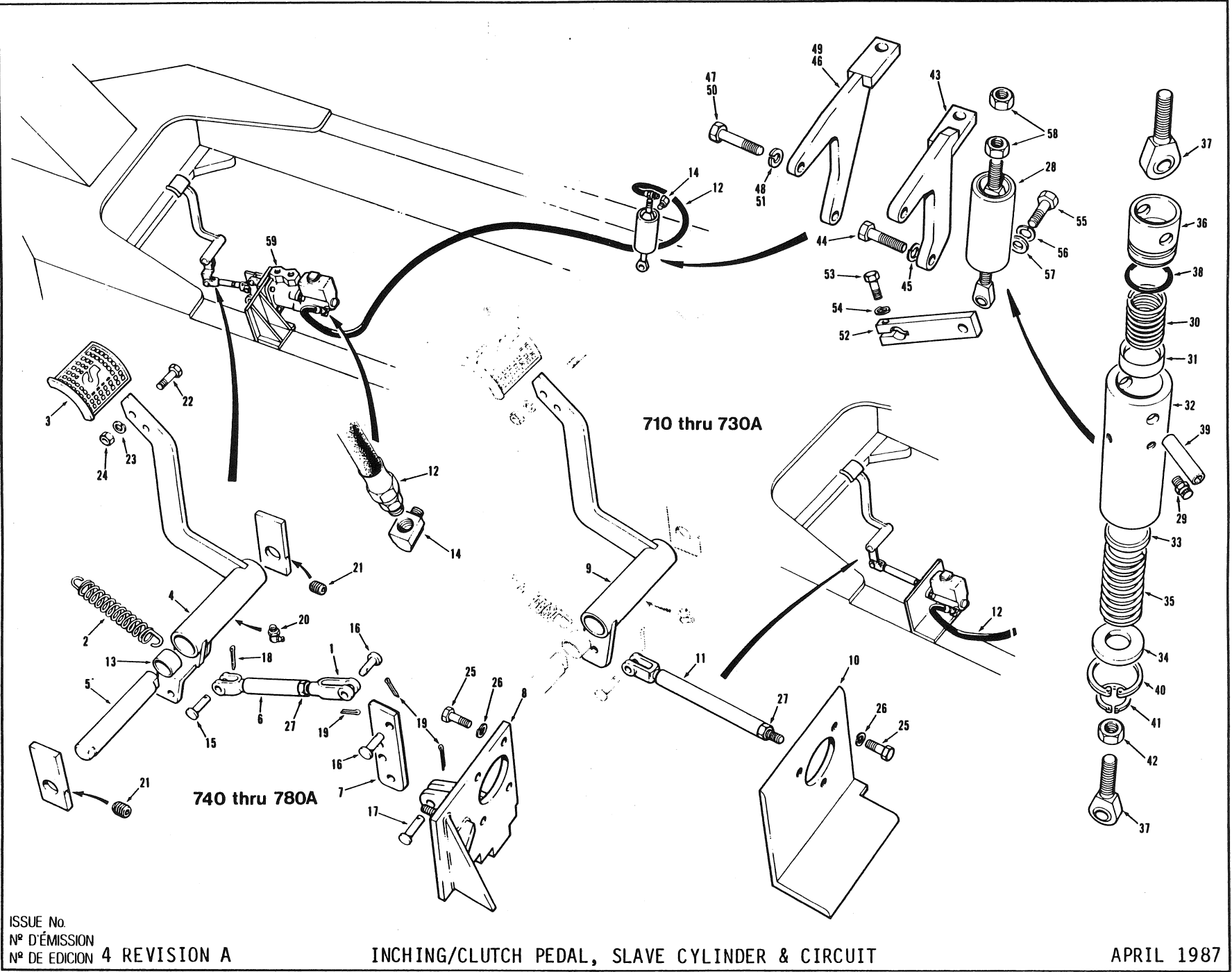
USE ONLY CHAMPION ROAD MACHINERY APPROVED PARTS

| SECTION SECCION | | PAGE PAGINA | ISSUE No. N° D'ÉMISSION N° DE EDICION | REVISION A | CLUTCH PEDAL, SLAVE CYLINDER & CIRCUIT | | | | | MAY 1987 |
|--------------------|--|---|---|-------------------------------|--|--|--|--------------------------------|-------------------------------|----------|
| No. N° | PART No. N° DE PIÈCE N° DE PIEZA | DESCRIPTION DESCRIPTION DESCRIPCION | No. REQ. N° REQ. N° REQ. | REMARKS REMARQUES NOTAS | No. N° | PART No. N° DE PIECE N° DE PIEZA | DESCRIPTION DESCRIPTION DESCRIPCION | No. REQ. N° REQ. N° REQ. | REMARKS REMARQUES NOTAS | |
| 1 | 602 | CLEVIS | 1 | 740 & 760 | | | <u>SLAVE CYLINDER INSTALLATION</u> | | | |
| 2 | 670 | SPRING | 1 | | | | | | | |
| 3 | 28647 | PAD | 1 | | 43 | *43322 | SLAVE CYLINDER ASSY. - INCLUDES ITEMS 44 TO 57 | 1 | | |
| 4 | 28741 | LEVER | 1 | 740 & 760 | | | | | | |
| 5 | 28744 | SHAFT | 1 | | 44 | 7794 | AIR VENT | 1 | | |
| 6 | 32418 | ROD | 1 | | 45 | 8314 | SPRING | 1 | | |
| 7 | 32420 | WALKING BEAM | 1 | 740 & 760 | 46 | *43131 | PISTON CUP | 1 | | |
| 8 | 40520 | PIVOT MOUNT | 1 | | 47 | 17777 | BARREL | 1 | | |
| 9 | 41968 | LEVER | 1 | | 48 | 17778 | PISTON | 1 | | |
| 10 | 41969 | PIVOT MOUNT | 1 | 710, 720 & 730 | 49 | 17780 | GUIDE | 1 | | |
| 11 | 41974 | ROD | 1 | | 50 | 17974 | SPRING | 1 | | |
| 12 | 32579 X 60 | HOSE | 1 | | 51 | 19834 | CYLINDER HEAD | 1 | | |
| 13 | 32824 | BUSHING | 2 | | 52 | *17837 | BALL JOINT | 2 | | |
| 14 | 100J-0402 | ELBOW | 2 | | 53 | 12A-218 | O RING | 1 | | |
| 15 | *10A-0618 | CLEVIS PIN | 1 | | 54 | 13C-1636 | ROLL PIN | 1 | | |
| 16 | 10A-0820 | CLEVIS PIN | 2 | 740 & 760 | 55 | 19B-175 | SNAP RING | 1 | | |
| 17 | 10A-0828 | CLEVIS PIN | 1 | | 56 | 19C-087 | SNAP RING | 1 | | |
| 18 | 13A-0316 | COTTER PIN | 1 | | 57 | 31D-08 | NUT | 1 | | |
| 19 | 13A-0420 | COTTER PIN | 3 | 740 & 760 | | | | | | |
| 20 | 29F-01 | GREASE FITTING | 1 | | 58 | 41558 | BRACKET | 1 | | |
| 21 | 70F-0405 | SET SCREW | 2 | | 59 | 50A-0722 | BOLT | 2 | MODEL 740 | |
| 22 | 50A-0614 | BOLT | 2 | | 60 | 14A-07 | LOCKWASHER | 2 | 740A & 760 | |
| 23 | 14A-06 | LOCKWASHER | 2 | | | | | | | |
| 24 | 30A-06 | NUT | 2 | | 61 | 41559 | BRACKET | 1 | | |
| 25 | 50A-0718 | BOLT | 4 | | 62 | 50A-0624 | BOLT | 2 | MODEL 720 | |
| 26 | 14A-07 | LOCKWASHER | 4 | | 63 | 14A-06 | LOCKWASHER | 2 | THRU 730A | |
| 27 | 31D-08 | NUT | 1 | | | | | | | |
| | | <u>MASTER CYLINDER RESERVOIR INSTALLATION</u> | | | 64 | 41559 | BRACKET | 1 | | |
| 28 | *800 | TUBE | 1 | | 65 | *350A-10075 | BOLT | 2 | 710/710A | |
| 29 | 24223X17 | HOSE | 1 | | 66 | *314A-10 | LOCKWASHER | 2 | | |
| 30 | 25168 | CLIP | 2 | | 67 | 32538 | ARM | 1 | | |
| 31 | 28958 | AUXILIARY RESERVOIR | 1 | | 68 | 50A-0612 | BOLT | 1 | | |
| 32 | 28959 | FILLER CAP | 1 | | 69 | 14A-06 | LOCKWASHER | 1 | | |
| 33 | 100D-0402 | CONNECTOR | 2 | | 70 | 50A-0820 | BOLT | 1 | | |
| 34 | 100G-0404 | UNION | 1 | | 71 | 14A-08 | LOCKWASHER | 1 | | |
| 35 | 103L-02 | NIPPLE | 1 | | 72 | 14C-08 | FLATWASHER | 1 | | |
| 36 | 103N-02 | ELBOW | 1 | | 73 | 31D-08 | NUT | 2 | | |
| 37 | 103T-02 | TEE | 1 | | | | | | | |
| 38 | 14A-04 | LOCKWASHER | 2 | | 74 | | CLUTCH MASTER CYLINDER ASSEMBLY | REF. | SECTION 5 PAGE 8 | |
| 39 | 30A-04 | NUT | 2 | | | | | | | |
| 40 | 14A-06 | LOCKWASHER | 1 | | | | | | | |
| 41 | 30A-06 | NUT | 1 | | | | | | | |
| 42 | | BRAKE CIRCUIT | REF. | SECTION 9 PAGE 8 | | | | | | |

EFFECTIVE SERIAL NUMBERS) 17049 & UP
NUMEROS) DE SERIE EFFECTIFS)
NUMEROS) DE SERIE EFFECTIVOS)
U.S. 2515-2 & UP

700 SERIES
SERIE 700

SECTION 5 PAGE 5
SECCION 5 PAGINA 5



USE ONLY CHAMPION ROAD MACHINERY APPROVED PARTS

ISSUE No.
N° D'ÉMISSION
N° DE EDICION 4 REVISION A

INCHING/CLUTCH PEDAL, SLAVE CYLINDER & CIRCUIT

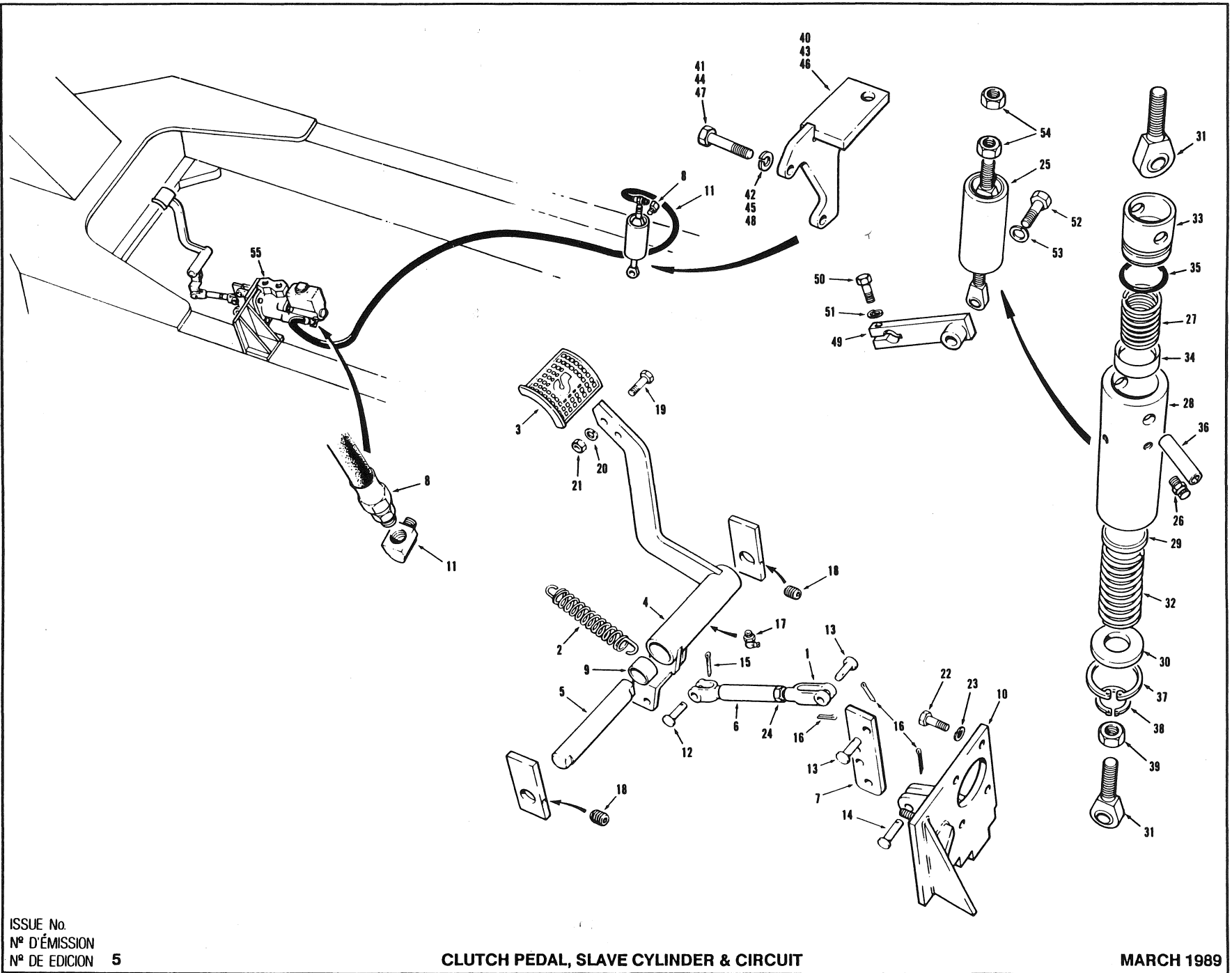
APRIL 1987

FOR LIST OF PARTS - TURN THIS PAGE

POUR LA LISTE DES PIÈCES - VOIR AU VERSO

PARA LA LISTA DE LAS PIEZAS - VER AL VERSO

| SECTION SECCION | | PAGE PAGINA | | ISSUE No. N° D'ÉMISSION N° DE EDICION | | INCHING/CLUTCH PEDAL, SLAVE CYLINDER & CIRCUIT | | | | APRIL 1987 | | |
|--------------------|--|---|--|---|-------------------------------|--|--|--|---------------|--------------------------------|-------------------------------|------------------------|
| No. N° N° | PART No. N° DE PIÈCE N° DE PIEZA | DESCRIPTION DESCRIPTION DESCRIPCION | | No. REQ. N° REQ. N° REQ. | REMARKS REMARQUES NOTAS | No. N° N° | PART No. N° DE PIÈCE N° DE PIEZA | DESCRIPTION DESCRIPTION DESCRIPCION | | No. REQ. N° REQ. N° REQ. | REMARKS REMARQUES NOTAS | |
| 1 | 602 | CLEVIS | | 1 | 740 THRU 780A | | | <u>SLAVE CYLINDER INSTALLATION</u> | | | | |
| 2 | 670 | SPRING | | 1 | | 28 | 43322 | SLAVE CYLINDER ASSY.- INCLUDES ITEMS 29 to 42 | | 1 | | |
| 3 | 28647 | PAD | | 1 | | | | | | | | |
| 4 | 28741 | LEVER | | 1 | 740 THRU 780A | 29 | 7794 | AIR VENT | | 1 | | |
| 5 | 28744 | SHAFT | | 1 | | | 30 | 8314 | SPRING | | 1 | |
| 6 | 32418 | ROD | | 1 | 740 THRU 780A | 31 | 43131 | PISTON CUP | | 1 | | |
| 7 | 32420 | WALKING BEAM | | 1 | | | 32 | 17777 | BARREL | | 1 | |
| 8 | 40520 | PIVOT MOUNT | | 1 | | | 33 | 17778 | PISTON | | 1 | |
| | | | | 1 | | | 34 | 17780 | GUIDE | | 1 | |
| 9 | 41968 | LEVER | | 1 | 710 THRU & 730A | 35 | 17974 | SPRING | | 1 | | |
| 10 | 41969 | PIVOT MOUNT | | 1 | | | 36 | 19834 | CYLINDER HEAD | | 1 | |
| 11 | 41974 | ROD | | 1 | | | 37 | 17837 | BALL JOINT | | 2 | |
| 12 | 32579 X 60 | HOSE | | 1 | | 38 | 12A-218 | O RING | | 1 | | |
| 13 | 32824 | BUSHING | | 2 | | 39 | *13C-1636 | ROLL PIN | | 1 | | |
| 14 | 100J-0402 | ELBOW | | 2 | | 40 | 19B-175 | SNAP RING | | 1 | | |
| 15 | *10A-0618 | CLEVIS PIN | | 1 | | 41 | 19C-087 | SNAP RING | | 1 | | |
| 16 | 10A-0820 | CLEVIS PIN | | 2 | 740 THRU 780A | 42 | 31D-08 | NUT | | 1 | | |
| 17 | 10A-0828 | CLEVIS PIN | | 1 | | | 43 | 41558 | BRACKET | | 1 | MODEL 740 THRU 780A |
| 18 | 13A-0316 | COTTER PIN | | 1 | | 44 | 50A-0722 | BOLT | | 2 | | |
| 19 | 13A-0420 | COTTER PIN | | 3 | 740 THRU 780A | 45 | 14A-07 | LOCKWASHER | | 2 | | |
| 20 | 29F-01 | GREASE FITTING | | 1 | | 46 | 41559 | BRACKET | | 1 | MODEL 720 THRU 730A | |
| 21 | 70B-0405 | SET SCREW | | 2 | | 47 | 50A-0624 | BOLT | | 2 | | |
| 22 | *50A-0612 | BOLT | | 2 | | 48 | 14A-06 | LOCKWASHER | | 2 | | |
| 23 | 14A-06 | LOCKWASHER | | 2 | | 49 | 41559 | BRACKET | | 1 | 710/710A | |
| 24 | 30A-06 | NUT | | 2 | | 50 | *350A-10075 | BOLT | | 2 | | |
| 25 | 50A-0718 | BOLT | | 4 | | 51 | 314A-10 | LOCKWASHER | | 2 | | |
| 26 | 14A-07 | LOCKWASHER | | 4 | | 52 | 32538 | ARM | | 1 | | |
| 27 | 31D-08 | NUT | | 1 | | 53 | 50A-0612 | BOLT | | 1 | | |
| | | | | | | 54 | 14A-06 | LOCKWASHER | | 1 | | |
| | | | | | | 55 | 50A-0820 | BOLT | | 1 | | |
| | | | | | | 56 | 14A-08 | LOCKWASHER | | 1 | | |
| | | | | | | 57 | 14C-08 | FLATWASHER | | 1 | | |
| | | | | | | 58 | 31D-08 | NUT | | 2 | | |
| | | | | | | 59 | | CLUTCH MASTER CYLINDER ASSEMBLY | | REF. | SECTION 5 PAGE 8 | |



CLUTCH PEDAL, SLAVE CYLINDER & CIRCUIT

MARCH 1989

USE ONLY CHAMPION ROAD MACHINERY APPROVED PARTS

EFFECTIVE SERIAL NUMBERS) Models 710 thru 730A: 19340 & UP
 NUMEROS) DE SERIE EFFECTIFS) Modèles 740 thru 780A: 19651 & UP
 NUMEROS) DE SERIE EFFECTIVOS)

700 SERIES
 SERIE 700

SECTION 5 PAGE 5
 SECCION 5 PAGINA 5

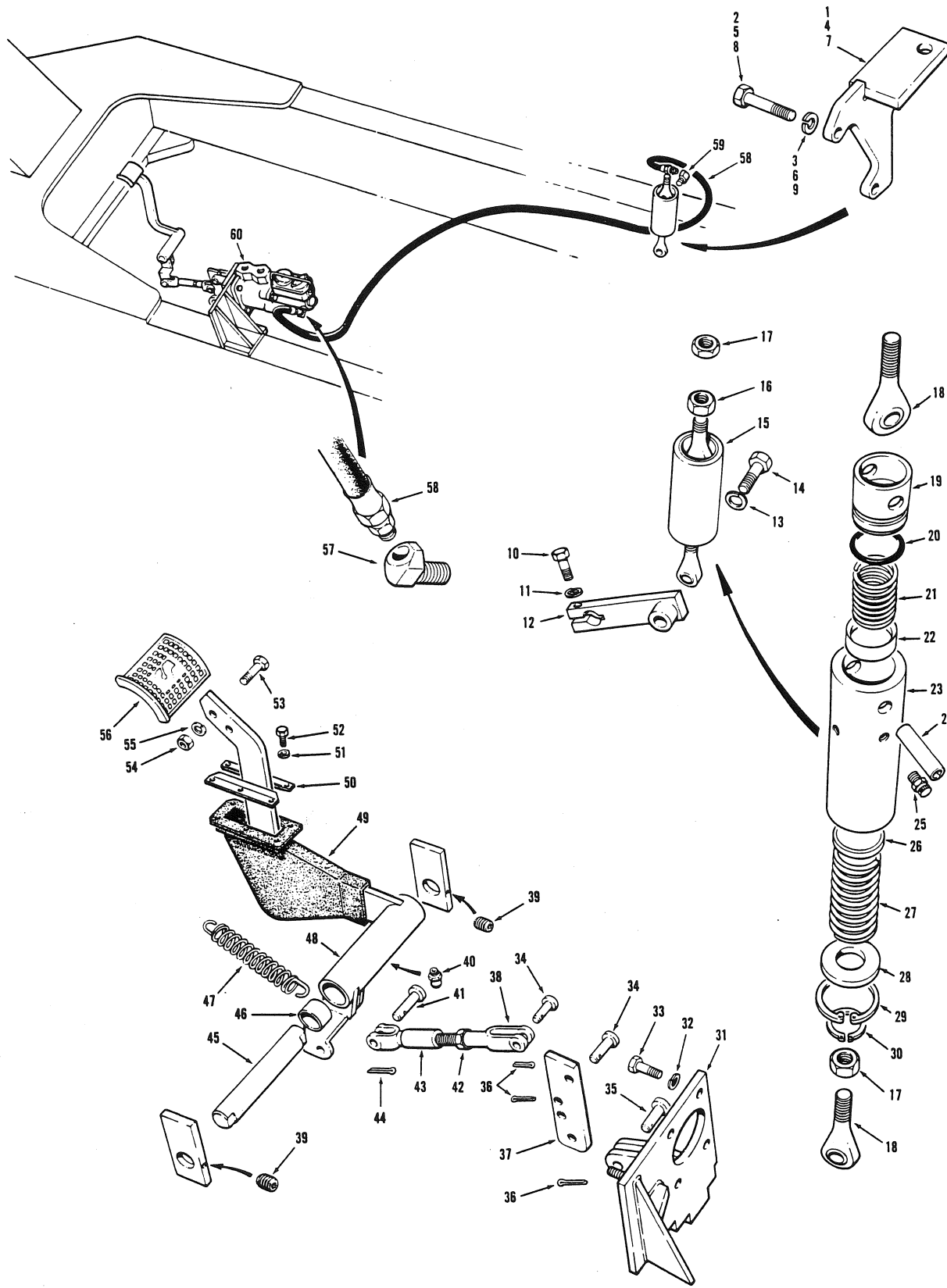
ISSUE No. 5
 N° D'ÉMISSION 5
 N° DE EDICION 5

FOR LIST OF PARTS - TURN THIS PAGE

POUR LA LISTE DES PIÈCES - VOIR AU VERSO

PARA LA LISTA DE LAS PIEZAS - VER AL VERSO

| SECTION SECCION | 5 | PAGE PAGINA | 6 | ISSUE No. N° D'ÉMISSION N° DE EDICION | 5 | CLUTCH PEDAL, SLAVE CYLINDER & CIRCUIT | | | | MARCH 1989 |
|--------------------|--|---|--------------------------------|---|-----------------|--|---|--------------------------------|-------------------------------|------------|
| No. N° N° | PART No. N° DE PIÈCE N° DE PIEZA | DESCRIPTION DÉSCRIPTION DESCRIPCION | No. REQ. N° REQ. N° REQ. | REMARKS REMARQUES NOTAS | No. N° N° | PART No. N° DE PIÈCE N° DE PIEZA | DESCRIPTION DÉSCRIPTION DESCRIPCION | No. REQ. N° REQ. N° REQ. | REMARKS REMARQUES NOTAS | |
| | | | | | | | <u>SLAVE CYLINDER INSTALLATION</u> | | | |
| 1 | 602 | CLEVIS | 1 | | | | | | | |
| 2 | 670 | SPRING | 1 | | | | | | | |
| 3 | 28647 | PAD | 1 | | 25 | 43322 | SLAVE CYLINDER ASSY. - INCLUDES ITEMS 26 TO 39 | 1 | | |
| 4 | 28741 | LEVER | 1 | | | | | | | |
| 5 | 28744 | SHAFT | 1 | | 26 | 7794 | AIR VENT | 1 | | |
| 6 | 32418 | ROD | 1 | | 27 | 8314 | SPRING | 1 | | |
| 7 | 32420 | WALKING BEAM | 1 | | 28 | 17777 | BARREL | 1 | | |
| 8 | 32579 X 60 | HOSE | 1 | | 29 | 17778 | PISTON | 1 | | |
| 9 | 32824 | BUSHING | 2 | | 30 | 17780 | GUIDE | 1 | | |
| 10 | 40520 | PIVOT MOUNT | 1 | | 31 | 17837 | BALL JOINT | 2 | | |
| 11 | 100J-0402 | ELBOW | 2 | | 32 | 17974 | SPRING | 1 | | |
| 12 | 10A-0618 | CLEVIS PIN | 1 | | 33 | 19834 | CYLINDER HEAD | 1 | | |
| 13 | 10A-0820 | CLEVIS PIN | 2 | | 34 | 43131 | PISTON CUP | 1 | | |
| 14 | 10A-0828 | CLEVIS PIN | 1 | | 35 | 12A-218 | O RING | 1 | | |
| 15 | 13A-0316 | COTTER PIN | 1 | | 36 | 13C-1636 | ROLL PIN | 1 | | |
| 16 | 13A-0420 | COTTER PIN | 3 | | 37 | 19B-175 | SNAP RING | 1 | | |
| 17 | 29F-01 | GREASE FITTING | 1 | | 38 | 19C-087 | SNAP RING | 1 | | |
| 18 | 70B-0405 | SET SCREW | 2 | | 39 | 31D-08 | NUT | 1 | | |
| 19 | 50A-0612 | BOLT | 2 | | 40 | *48737 | BRACKET | 1 | } MODEL 740 THRU 780A | |
| 20 | 14A-06 | LOCKWASHER | 2 | | 41 | 50A-0722 | BOLT | 2 | | |
| 21 | 30A-06 | NUT | 2 | | 42 | 14A-07 | LOCKWASHER | 2 | | |
| 22 | 50A-0718 | BOLT | 4 | | 43 | *48737 | BRACKET | 1 | } MODEL 720 THRU 730A | |
| 23 | 14A-07 | LOCKWASHER | 4 | | 44 | *50A-0628 | BOLT | 2 | | |
| 24 | 31D-08 | NUT | 1 | | 45 | 14A-06 | LOCKWASHER | 2 | | |
| | | | | | 46 | *48737 | BRACKET | 1 | } 710/710A | |
| | | | | | 47 | 350A-10075 | BOLT | 2 | | |
| | | | | | 48 | 314A-10 | LOCKWASHER | 2 | | |
| | | | | | 49 | *48741 | ARM | 1 | | |
| | | | | | 50 | 50A-0612 | BOLT | 1 | | |
| | | | | | 51 | 14A-06 | LOCKWASHER | 1 | | |
| | | | | | 52 | 50A-0820 | BOLT | 1 | | |
| | | | | | 53 | 14A-08 | LOCKWASHER | 1 | | |
| | | | | | 54 | 31A-08 | NUT | 2 | | |
| | | | | | 55 | | CLUTCH MASTER CYLINDER ASSEMBLY | REF. | SECTION 5 PAGE 8 | |



APRIL 1990

CLUTCH PEDAL, SLAVE CYLINDER & CIRCUIT

FOR LIST OF PARTS - TURN THIS PAGE
 POUR LA LISTE DES PIÈCES - VOIR AU VERSO
 PARA LA LISTA DE LAS PIEZAS - VER AL VERSO

6
 ISSUE No
 N° D'ÉMISSION
 N° DE EDICION

EFFECTIVE SERIAL NUMBER(S)
 NUMERO(S) DE SÉRIE EFFECTIF(S)
 NUMERO(S) DE SÉRIE EFECTIVO(S)

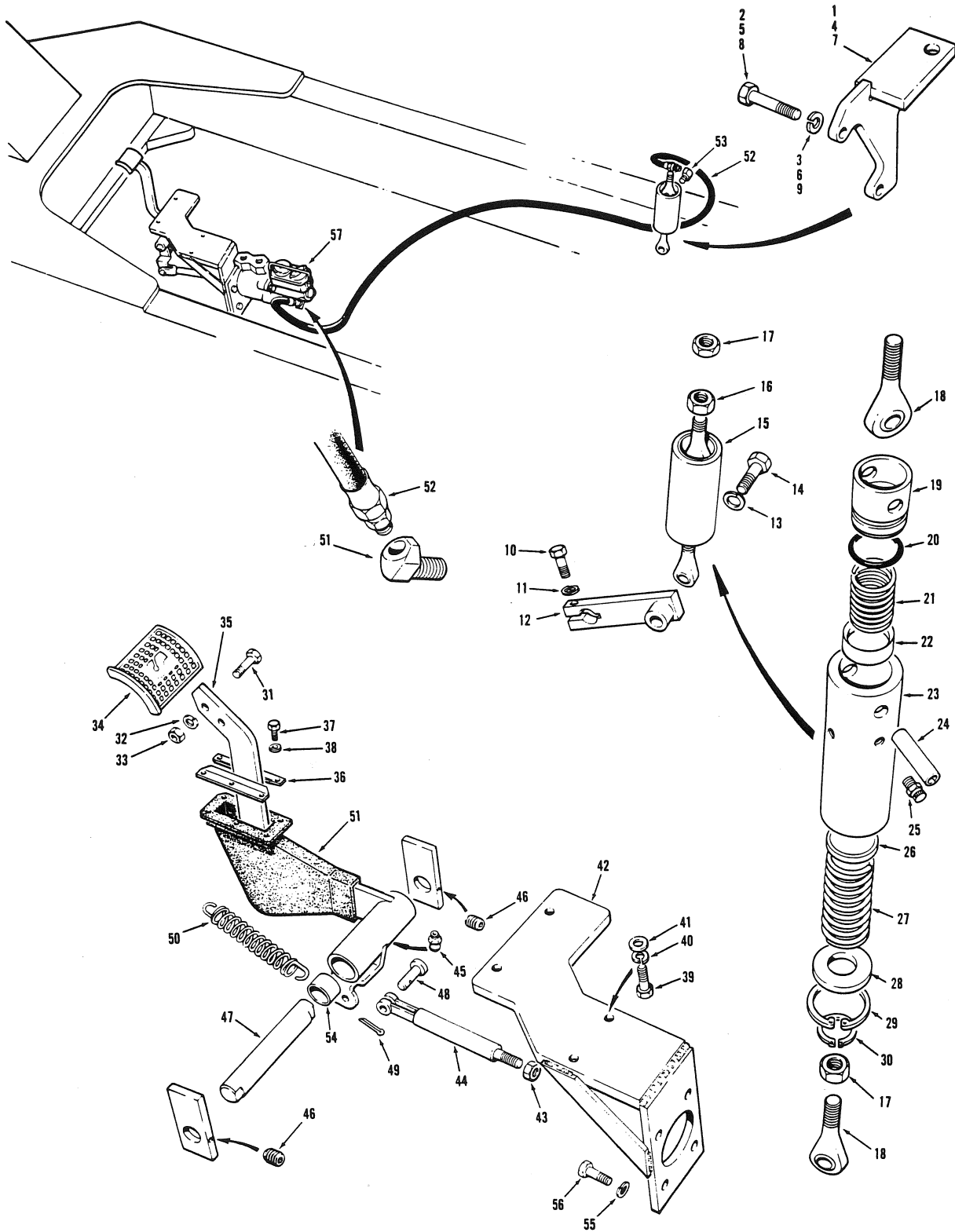
20602, 20606 & UP

700 SERIES
 SERIE 700

SECTION 5 PAGE 5
 SECCION 5 PAGINA 5

| SECTION 5 | | PAGE 6 | | ISSUE No. 6 | | CLUTCH PEDAL, SLAVE CYLINDER & CIRCUIT | | | APRIL 1990 | |
|-----------|----------------------------------|---|--------------------------|-------------------------|-----------|--|-------------------------------------|--------------------------|-------------------------|--|
| No. N° N° | PART No. N° DE PIÈCE N° DE PIEZA | DESCRIPTION DÉSCRIPTION DESCRIPCION | No. REQ. N° REQ. N° REQ. | REMARKS REMARQUES NOTAS | No. N° N° | PART No. N° DE PIÈCE N° DE PIEZA | DESCRIPTION DÉSCRIPTION DESCRIPCION | No. REQ. N° REQ. N° REQ. | REMARKS REMARQUES NOTAS | |
| 1 | 48737 | BRACKET | 1 | | 31 | 40520 | PIVOT MOUNT | 1 | | |
| 2 | 50A-0722 | BOLT | 2 | 740 thru 780A | 32 | 14A-07 | LOCKWASHER | 4 | | |
| 3 | 14A-07 | LOCKWASHER | 2 | | | 33 | 50A-0718 | BOLT | 4 | |
| 4 | 48737 | BRACKET | 1 | | 34 | 10A-0820 | CLEVIS PIN | 2 | | |
| 5 | 50A-0628 | BOLT | 2 | 720 thru 730A | 35 | 10A-0828 | CLEVIS PIN | 1 | | |
| 6 | 14A-06 | LOCKWASHER | 2 | | | 36 | 13A-0420 | COTTER PIN | 3 | |
| 7 | 48737 | BRACKET | 1 | | 37 | 32420 | WALKING BEAM | 1 | | |
| 8 | 350A-10075 | BOLT | 2 | 710/710A | 38 | 602 | CLEVIS | 1 | | |
| 9 | 314A-10 | LOCKWASHER | 2 | | | 39 | 70B-0405 | SET SCREW | 2 | |
| 10 | 50A-0612 | BOLT | 1 | | 40 | 29F-01 | GREASE FITTING | 1 | | |
| 11 | 14A-06 | LOCKWASHER | 1 | | 41 | 10A-0618 | CLEVIS PIN | 1 | | |
| 12 | 48741 | ARM | 1 | | 42 | 31D-08 | NUT | 1 | | |
| 13 | 14A-08 | LOCKWASHER | 1 | | 43 | 32418 | ROD | 1 | | |
| 14 | 50A-0820 | BOLT | 1 | | 44 | 13A-0316 | COTTER PIN | 1 | | |
| | | SLAVE CYLINDER INSTALLATION | | | 45 | *48341 | SHAFT | 1 | | |
| 15 | 43322 | SLAVE CYLINDER ASSEMBLY - INCLUDES ITEMS 17 TO 30 | 1 | | 46 | 32824 | BUSHING | 2 | | |
| 16 | 31A-08 | NUT | 2 | | 47 | 670 | SPRING | 1 | | |
| 17 | 31D-08 | NUT | 1 | | 48 | 28741 | LEVER | 1 | | |
| 18 | *55051 | BALL JOINT | 2 | | 49 | *51965 | RUBBER BOOT | 1 | | |
| 19 | 19834 | CYLINDER HEAD | 1 | | 50 | *56213 | PLATE | 2 | | |
| 20 | 12A-218 | O RING | 1 | | 51 | *14A-04 | LOCKWASHER | 6 | | |
| 21 | 8314 | SPRING | 1 | | 52 | *50A-0406 | BOLT | 6 | | |
| 22 | 43131 | PISTON CUP | 1 | | 53 | 50A-0612 | BOLT | 2 | | |
| 23 | 17777 | BARREL | 1 | | 54 | 30A-06 | NUT | 2 | | |
| 24 | 13C-1636 | ROLL PIN | 1 | | 55 | 14A-06 | LOCKWASHER | 2 | | |
| 25 | 7794 | AIR VENT | 1 | | 56 | 28647 | PAD | 1 | | |
| 26 | 17778 | PISTON | 1 | | 57 | *100H-0402 | ELBOW | 1 | | |
| 27 | 17974 | SPRING | 1 | | 58 | 32579 x 60 | HOSE | 1 | | |
| 28 | 17780 | GUIDE | 1 | | 59 | 100J-0402 | ELBOW | 1 | | |
| 29 | 19B-175 | SNAP RING | 1 | | 60 | | CLUTCH MASTER CYLINDER ASSEMBLY | REF. | SECTION 5 | |
| 30 | 19C-087 | SNAP RING | 1 | | | | | | PAGE 8 | |

CLUTCH PEDAL, SLAVE CYLINDER & CIRCUIT



7

ISSUE No.
N° D'ÉMISSION
N° DE EDICION

EFFECTIVE SERIAL NUMBER(S)
NUMERO(S) DE SÉRIE EFFECTIF(S)
NUMERO(S) DE SERIE EFECTIVO(S)

21006, 21078, 21080, 21082,
21084, 21086, 21088,
21090 & UP

700 SERIES
SERIE 700

SECTION
SECCION

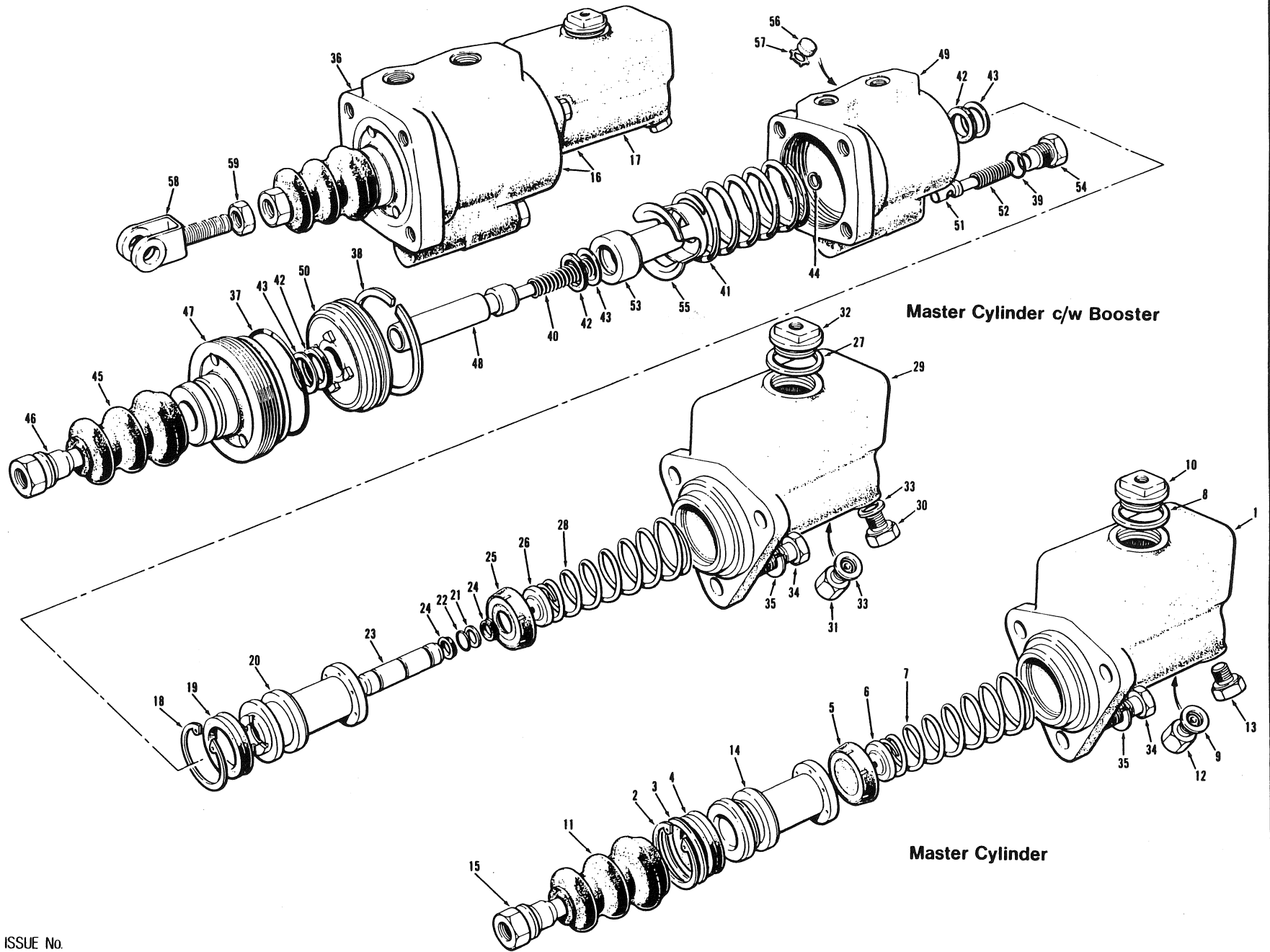
5

PAGE
PAGINA

5

| SECTION SECCION | | PAGE PAGINA | ISSUE No. N° D'ÉMISSION N° DE EDICION | CLUTCH PEDAL, SLAVE CYLINDER & CIRCUIT | | | | NOVEMBER 1990 | | |
|--------------------|--|---|---|--|-----------------|--|---|--------------------------------|-------------------------------|--|
| No. N° N° | PART No. N° DE PIÈCE N° DE PIEZA | DESCRIPTION DÉSCRIPTION DESCRIPCION | No. REQ. N° REQ. N° REQ. | REMARKS REMARQUES NOTAS | No. N° N° | PART No. N° DE PIÈCE N° DE PIEZA | DESCRIPTION DÉSCRIPTION DESCRIPCION | No. REQ. N° REQ. N° REQ. | REMARKS REMARQUES NOTAS | |
| 1 | 48737 | BRACKET | 1 | 740 thru 780A | 31 | 50A-0812 | BOLT | 2 | | |
| 2 | 50A-0722 | BOLT | 2 | | | 32 | 14A-08 | LOCKWASHER | 2 | |
| 3 | 14A-07 | LOCKWASHER | 2 | | | 33 | 30A-06 | NUT | 2 | |
| 4 | 48737 | BRACKET | 1 | 720 thru 730A | 34 | 28647 | PAD | 1 | | |
| 5 | 50A-0628 | BOLT | 2 | | | 35 | * 56736 | LEVER | 1 | |
| 6 | 14A-06 | LOCKWASHER | 2 | | | 36 | * 56213 | PLATE | 2 | |
| 7 | 48737 | BRACKET | 1 | 710/710A | 37 | 50A-0408 | BOLT | 6 | | |
| 8 | 350A-10075 | BOLT | 2 | | | 38 | 14A-04 | LOCKWASHER | 6 | |
| 9 | 314A-10 | LOCKWASHER | 2 | | | 39 | * 50A-0810 | BOLT | 4 | |
| 10 | 50A-0812 | BOLT | 1 | | 40 | * 14A-08 | LOCKWASHER | 4 | | |
| 11 | 14A-08 | LOCKWASHER | 1 | | 41 | * 14C-08 | FLATWASHER | 4 | | |
| 12 | 48741 | ARM | 1 | | 42 | * 56732 | BRACKET | 1 | | |
| 13 | 14A-08 | LOCKWASHER | 1 | | 43 | 31D-08 | NUT | 1 | | |
| 14 | 50A-0820 | BOLT | 1 | | 44 | * 56738 | ROD | 1 | | |
| | | SLAVE CYLINDER INSTALLATION | | | 45 | 29F-01 | GREASE FITTING | 1 | | |
| 15 | 43322 | SLAVE CYLINDER ASSEMBLY - INCLUDES ITEMS 17 TO 30 | 1 | | 46 | 70B-0405 | SET SCREW | 2 | | |
| 16 | 31A-08 | NUT | 2 | | 47 | 48341 | SHAFT | 1 | | |
| 17 | 31D-08 | NUT | 1 | | 48 | 10A-0818 | CLEVIS PIN | 1 | | |
| 18 | *55051 | BALL JOINT | 2 | | 49 | 13A-0316 | COTTER PIN | 1 | | |
| 19 | 19834 | CYLINDER HEAD | 1 | | 50 | 670 | SPRING | 1 | | |
| 20 | 12A-218 | O RING | 1 | | 51 | 51965 | RUBBER BOOT | 1 | | |
| 21 | 8314 | SPRING | 1 | | 52 | 32579 x 60 | HOSE | 1 | | |
| 22 | 43131 | PISTON CUP | 1 | | 53 | 100J-0402 | ELBOW | 1 | | |
| 23 | 17777 | BARREL | 1 | | 54 | 32824 | BUSHING | 2 | | |
| 24 | 13C-1636 | ROLL PIN | 1 | | 55 | 14A-07 | LOCKWASHER | 4 | | |
| 25 | 7784 | AIR VENT | 1 | | 56 | 50A-0718 | BOLT | 4 | | |
| 26 | 17778 | PISTON | 1 | | 57 | | CLUTCH MASTER CYLINDER ASSEMBLY | REF. | SECT 5 PG 7 | |
| 27 | 17974 | SPRING | 1 | | | | | | | |
| 28 | 17780 | GUIDE | 1 | | | | | | | |
| 29 | 19B-175 | SNAP RING | 1 | | | | | | | |
| 30 | 19C-087 | SNAP RING | 1 | | | | | | | |

CHAMPION ROAD MACHINERY



Master Cylinder c/w Booster

Master Cylinder

CLUTCH MASTER CYLINDER & BOOSTER ASSEMBLY

JANUARY 1986

ISSUE No. 1 REVISION A
 N° D'ÉMISSION
 N° DE EDICION

FOR LIST OF PARTS - TURN THIS PAGE

POUR LA LISTE DES PIÈCES - VOIR AU VERSO

PARA LA LISTA DE LAS PIEZAS - VER AL VERSO

EFFECTIVE SERIAL NUMBERS 16224, 16245 & UP
 NUMEROS DE SERIE EFFECTIFS
 NUMEROS DE SERIE EFECTIVOS
 U.S. 2021-2 & UP

700 SERIES
 SERIE 700

SECTION 5 PAGE
 SECCION 5 PAGINA 7

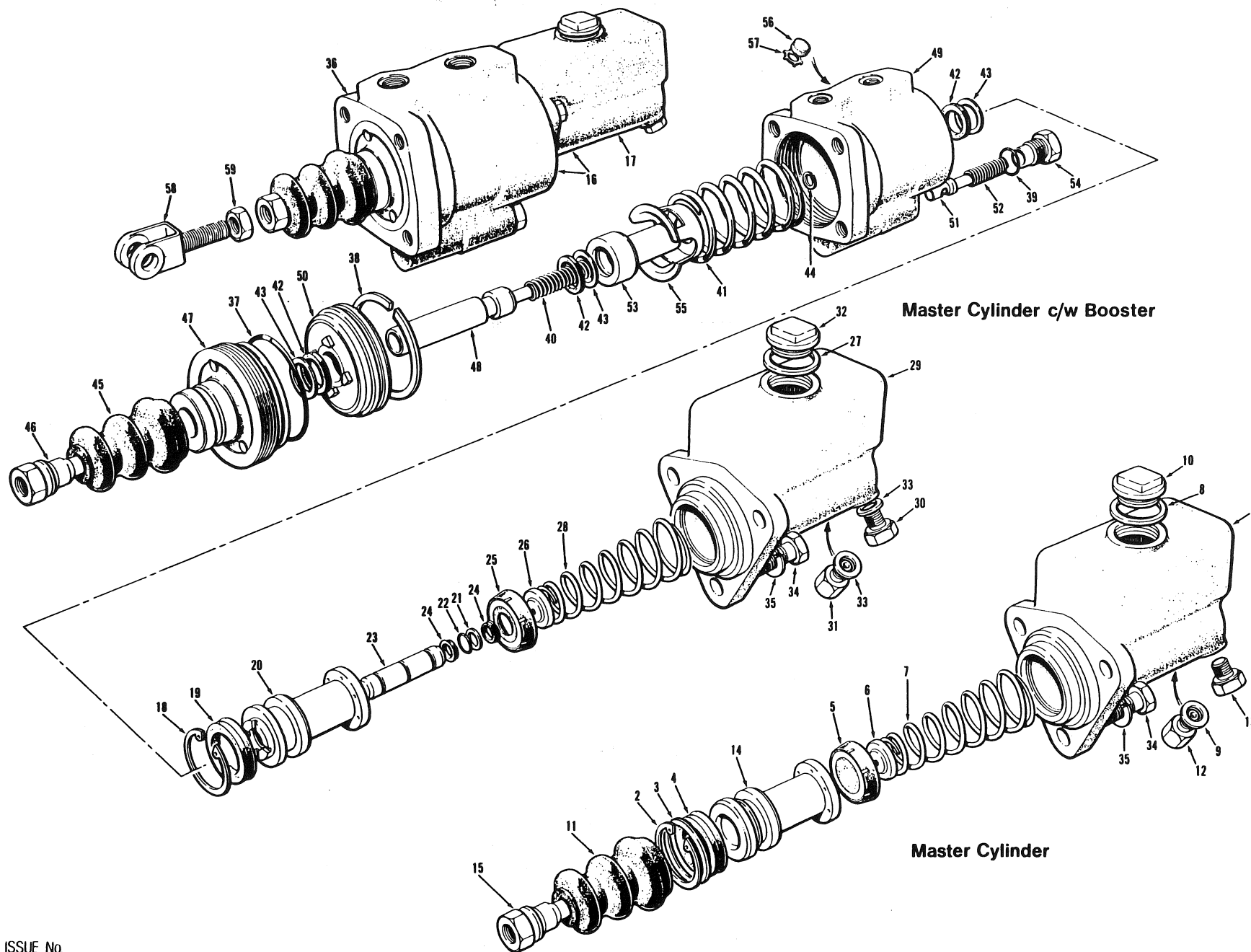
USE ONLY CHAMPION ROAD MACHINERY APPROVED PARTS

| SECTION SECCION 5 | | PAGE PAGINA 8 | ISSUE No. N° D'ÉMISSION N° DE EDICION 1 | REVISION A | CLUTCH MASTER CYLINDER & BOOSTER ASSEMBLY | | | | JANUARY 1986 | |
|-------------------------------------|--|---|---|-------------------------------|---|--|--|--------------------------------|-------------------------------|--|
| No. N° N° | PART No. N° DE PIÈCE N° DE PIEZA | DESCRIPTION DESCRIPTION DESCRIPCION | No. REQ. N° REQ. N° REQ. | REMARKS REMARQUES NOTAS | No. N° N° | PART No. N° DE PIECE N° DE PIEZA | DESCRIPTION DESCRIPTION DESCRIPCION | No. REQ. N° REQ. N° REQ. | REMARKS REMARQUES NOTAS | |
| <u>MASTER CYLINDER INSTALLATION</u> | | | | | | | | | | |
| | | *APPLICABLE FOR MODELS 710 THRU 730A SERIAL No.16806 AND UP. U.S. 2419-2 & UP. | | | 27 | 36499 | GASKET- FILLER PLUG | 1 | | |
| | | | | | 28 | | SPRING | 1 | | |
| | | | | | 29 | | HOUSING | 1 | | |
| | | | | | 30 | 7844 | PLUG | 1 | | |
| | | | | | 31 | 8159 | CONNECTOR | 1 | | |
| 1 | *41984 | MASTER CYLINDER ASSEMBLY - INCLUDES ITEMS 2 TO 14 | 1 | | 32 | 36496 | FILLER PLUG | 1 | | |
| | *43492 | REPAIR KIT - INCLUDES ITEMS 2 TO 11 | A.R. | | 33 | 105C-1208 | WASHER | 2 | | |
| 2 | | RETAINER RING | 1 | | 34 | 50A-0610 | BOLT | 3 | | |
| 3 | | WASHER | 1 | | 35 | 14A-06 | LOCKWASHER | 3 | | |
| 4 | | CUP | 1 | | | | | | | |
| 5 | | CUP | 1 | | 36 | 36412 | POWER BOOSTER ASSEMBLY - INCLUDES ITEMS 37 TO 57 | 1 | | |
| 6 | | RETAINER | 1 | | | 36494 | REPAIR KIT - BOOSTER ASSEMBLY - INCLUDES ITEMS 37 TO 45 | A.R. | | |
| 7 | | SPRING | 1 | | | | | | | |
| 8 | 36499 | GASKET - FILLER PLUG | 1 | | | | | | | |
| 9 | | GASKET | 2 | | | | | | | |
| 10 | 36496 | FILLER CAP | 1 | | | | | | | |
| 11 | | BOOT | 1 | | 37 | | O RING | 1 | | |
| 12 | *43493 | ADAPTOR | 1 | | 38 | | PISTON RING | 1 | | |
| 13 | *43494 | CAP SCREW | 1 | | 39 | | O RING | 1 | | |
| 14 | *43495 | PISTON | 1 | | 40 | | SPRING | 1 | | |
| 15 | *43932 | PUSH ROD | 1 | | 41 | | SPRING | 1 | | |
| | | | | | 42 | | CUP | 3 | | |
| | | | | | 43 | | BACK-UP RING | 3 | | |
| | | | | | 44 | | RETAINING RING | 1 | | |
| | | | | | 45 | 36497 | BOOT | 1 | | |
| | | *APPLICABLE FOR MODELS 710 THRU 730A UP TO SERIAL No.16805. U.S. UP TO 2418-2. | | | 46 | 36498 | PUSH ROD | 1 | | |
| | | APPLICABLE FOR MODELS 740 THRU 760 SERIAL No. 16224, 16245 & UP. U.S. 2021-2 & UP. | | | 47 | | END FLUG | 1 | | |
| 16 | 34601 | MASTER CYLINDER & POWER BOOSTER ASSEMBLY INCLUDES ITEMS 17 TO 56 | 1 | | 48 | | PISTON | 1 | | |
| 17 | 36495 | MASTER CYLINDER ASSEMBLY - INCLUDES ITEMS 17 TO 32 | | | 49 | | HOUSING | 1 | | |
| | 33931 | REPAIR KIT - MASTER CYL. - INCLUDES ITEMS 17 TO 27 (DISCARD CHECK VALVE AND VALVE SEAT) | A.R. | | 50 | | PISTON | 1 | | |
| | | | | | 51 | | VALVE STEM | 1 | | |
| | | | | | 52 | | SPRING | 1 | | |
| | | | | | 53 | | PISTON | 1 | | |
| | | | | | 54 | | END PLUG | 1 | | |
| | | | | | 55 | | RETAINER | 1 | | |
| | | | | | 56 | | SNUBBER | 1 | | |
| | | | | | 57 | | RETAINING RING | 1 | | |
| 18 | | RETAINING RING | 1 | | 58 | 36463 | CLEVIS | 1 | | |
| 19 | | CUP | 1 | | 59 | 31D-08 | JAM NUT | 1 | | |
| 20 | | PISTON | 1 | | | | | | | |
| 21 | | BACK-UP RING | 1 | | | | | | | |
| 22 | | O RING | 1 | | | | | | | |
| 23 | | PISTON | 1 | | | | | | | |
| 24 | | CUP | 2 | | | | | | | |
| 25 | | CUP | 1 | | | | | | | |
| 26 | | RETAINER | 1 | | | | | | | |

EFFECTIVE SERIAL NUMBERS) 17049 & UP
 NUMEROS) DE SERIE EFFECTIFS)
 NUMEROS) DE SERIE EFFECTIVOS)
 U.S. 2515-2 & UP

700 SERIES
 SERIE 700

SECTION 5 PAGE
 SECCION 5 PAGINA 7



Master Cylinder c/w Booster

Master Cylinder

ISSUE No.
 N° D'ÉMISSION
 N° DE EDICION 2 REVISION A

CLUTCH MASTER CYLINDER & BOOSTER ASSEMBLY

JULY 1986

FOR LIST OF PARTS - TURN THIS PAGE

POUR LA LISTE DES PIÈCES - VOIR AU VERSO

PARA LA LISTA DE LAS PIEZAS - VER AL VERSO

USE ONLY CHAMPION ROAD MACHINERY APPROVED PARTS

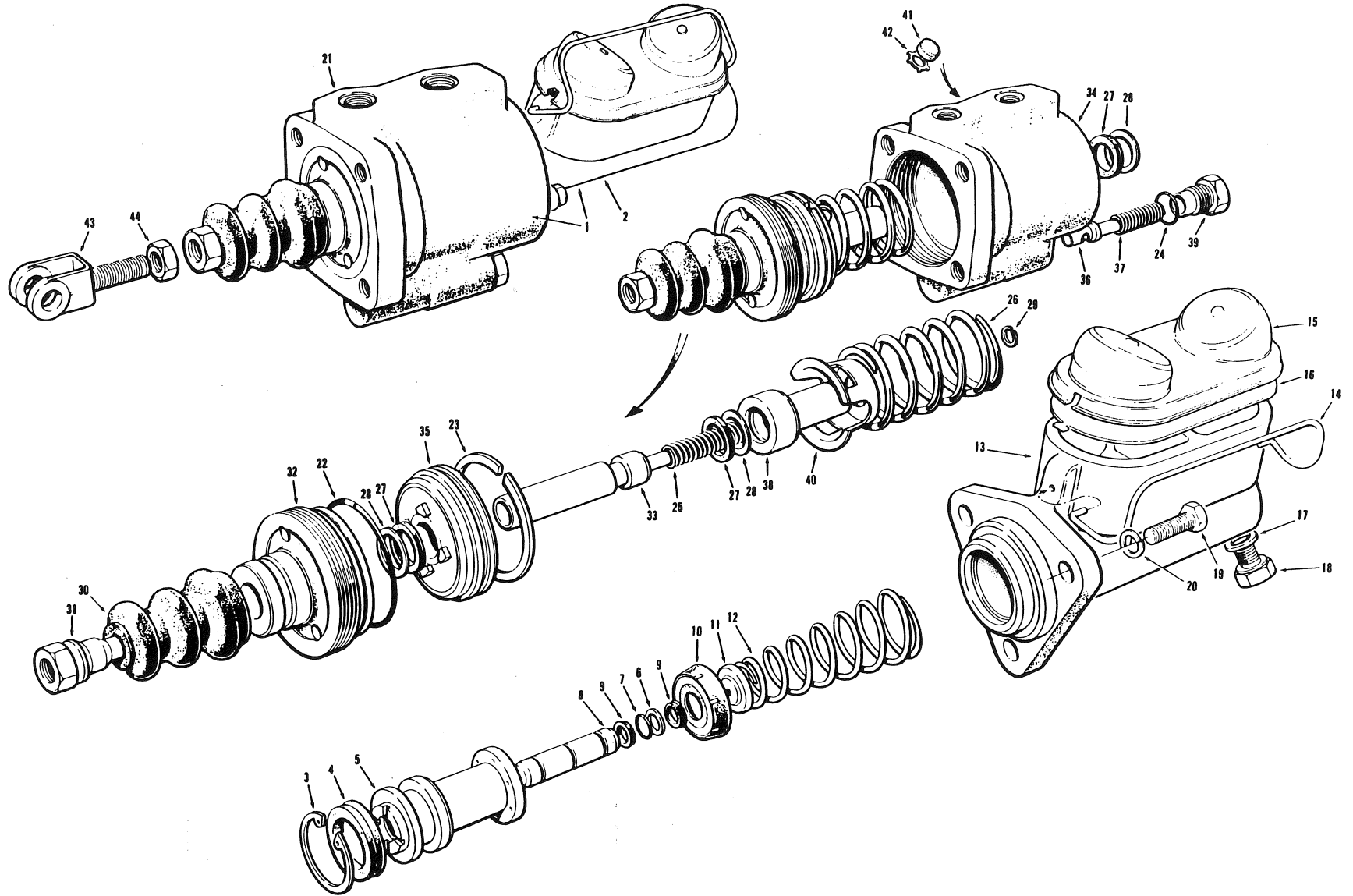
| SECTION: 5 | | PAGE 8 | | ISSUE No. N° D'ÉMISSION N° DE EDICION 2 REVISION A | | CLUTCH MASTER CYLINDER & BOOSTER ASSEMBLY | | | JULY 1986 | |
|---|----------------------------------|---|--------------------------|--|-----------|---|---|--------------------------|-------------------------|--|
| No. N° N° | PART No. N° DE PIÈCE N° DE PIEZA | DESCRIPTION DESCRIPTION DESCRIPCION | No. REQ. N° REQ. N° REQ. | REMARKS REMARQUES NOTAS | No. N° N° | PART No. N° DE PIÈCE N° DE PIEZA | DESCRIPTION DESCRIPTION DESCRIPCION | No. REQ. N° REQ. N° REQ. | REMARKS REMARQUES NOTAS | |
| <u>MASTER CYLINDER INSTALLATION</u> | | | | | | | | | | |
| APPLICABLE FOR MODELS 710 THRU 730A | | | | | | | | | | |
| 1 | 43902 | MASTER CYLINDER ASSEMBLY - INCLUDES ITEMS 2 TO 14 | 1 | | 27 | 36499 | GASKET- FILLER PLUG | 1 | | |
| 2 | 43492 | REPAIR KIT - INCLUDES ITEMS 2 TO 11 | A.R. | | 28 | | SPRING | 1 | | |
| 3 | | RETAINER RING | 1 | | 29 | | HOUSING | 1 | | |
| 4 | | WASHER | 1 | | 30 | 7844 | PLUG | 1 | | |
| 5 | | CUP | 1 | | 31 | 8159 | CONNECTOR | 1 | | |
| 6 | | CUP | 1 | | 32 | 43903 | VENTED PLUG | 1 | | |
| 7 | | RETAINER | 1 | | 33 | 105C-1208 | WASHER | 2 | | |
| 8 | 36499 | GASKET - VENTED PLUG | 1 | | 34 | 50A-0610 | BOLT | 3 | | |
| 9 | | GASKET | 2 | | 35 | 14A-06 | LOCKWASHER | 3 | | |
| 10 | 43903 | VENTED PLUG | 1 | | 36 | 36412 | POWER BOOSTER ASSEMBLY - INCLUDES ITEMS 37 TO 57 | 1 | | |
| 11 | | BOOT | 1 | | | 36494 | REPAIR KIT - BOOSTER ASSEMBLY - INCLUDES ITEMS 37 TO 45 | A.R. | | |
| 12 | 43493 | ADAPTOR | 1 | | 37 | | O RING | 1 | | |
| 13 | 43494 | CAP SCREW | 1 | | 38 | | PISTON RING | 1 | | |
| 14 | 43495 | PISTON | 1 | | 39 | | O RING | 1 | | |
| 15 | 43932 | PUSH ROD | 1 | | 40 | | SPRING | 1 | | |
| <u>MASTER CYLINDER & BOOSTER INSTALLATION</u> | | | | | | | | | | |
| APPLICABLE FOR MODELS 740 THRU 760A | | | | | | | | | | |
| 16 | 43901 | MASTER CYLINDER & POWER BOOSTER ASSEMBLY INCLUDES ITEMS 17 TO 57 | 1 | | 41 | | SPRING | 1 | | |
| 17 | *44591 | MASTER CYLINDER ASSEMBLY - INCLUDES ITEMS 18 TO 33 | | | 42 | | CUP | 3 | | |
| | 33931 | REPAIR KIT - MASTER CYL. - INCLUDES ITEMS 18 TO 27 (DISCARD CHECK VALVE AND VALVE SEAT) | A.R. | | 43 | | BACK-UP RING | 3 | | |
| 18 | | RETAINING RING | 1 | | 44 | | RETAINING RING | 1 | | |
| 19 | | CUP | 1 | | 45 | 36497 | BOOT | 1 | | |
| 20 | | PISTON | 1 | | 46 | 36498 | PUSH ROD | 1 | | |
| 21 | | BACK-UP RING | 1 | | 47 | | END PLUG | 1 | | |
| 22 | | O RING | 1 | | 48 | | PISTON | 1 | | |
| 23 | | PISTON | 1 | | 49 | | HOUSING | 1 | | |
| 24 | | CUP | 2 | | 50 | | PISTON | 1 | | |
| 25 | | CUP | 1 | | 51 | | VALVE STEM | 1 | | |
| 26 | | RETAINER | 1 | | 52 | | SPRING | 1 | | |
| | | | | | 53 | | PISTON | 1 | | |
| | | | | | 54 | | END PLUG | 1 | | |
| | | | | | 55 | | RETAINER | 1 | | |
| | | | | | 56 | | SNUBBER | 1 | | |
| | | | | | 57 | | RETAINING RING | 1 | | |
| | | | | | 58 | 36463 | CLEVIS | 1 | | |
| | | | | | 59 | 31D-08 | JAM NUT | 1 | | |

EFFECTIVE SERIAL NUMBERS)
NUMEROS) DE SERIE EFFECTIFS)
NUMEROS) DE SERIE EFFECTIVOS)

19451 & UP

700 SERIES
SERIE 700

SECTION 5 PAGE 7
SECCION 5 PAGINA 7



ISSUE No.
N° D'ÉMISSION
N° DE EDICION 3

CLUTCH MASTER CYLINDER & BOOSTER ASSEMBLY

MARCH 1989

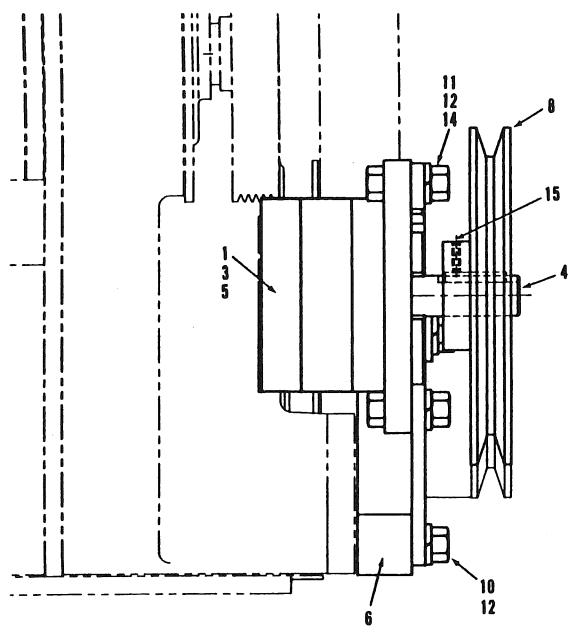
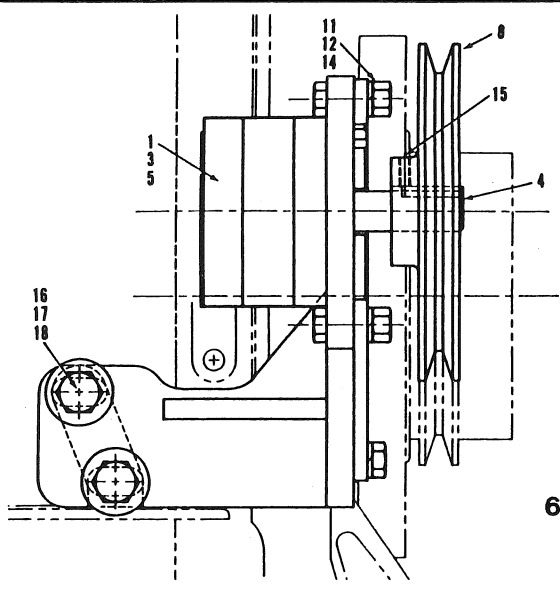
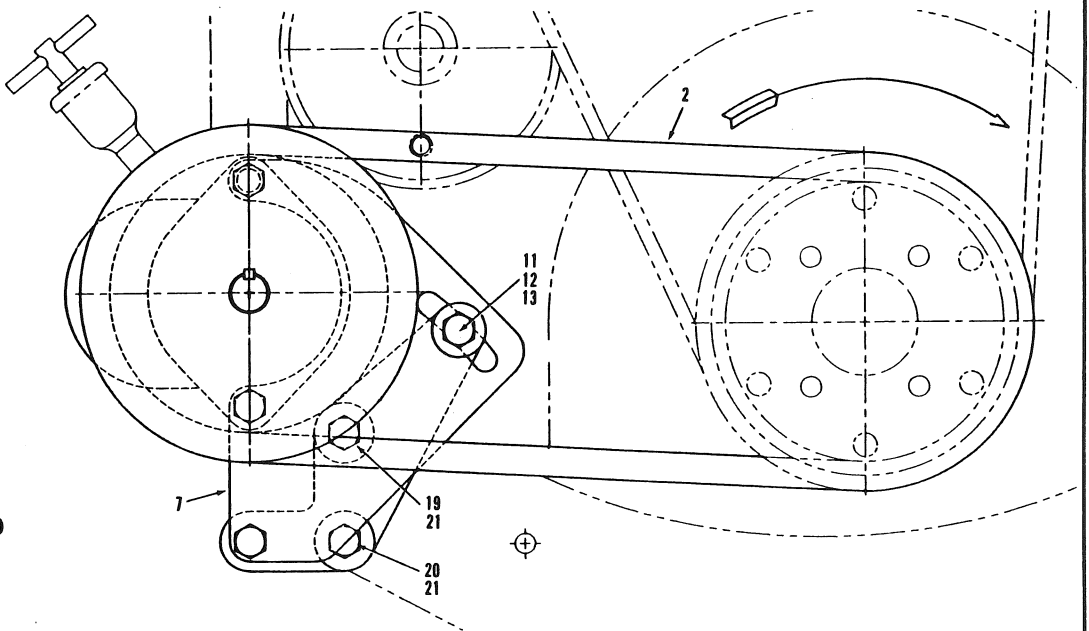
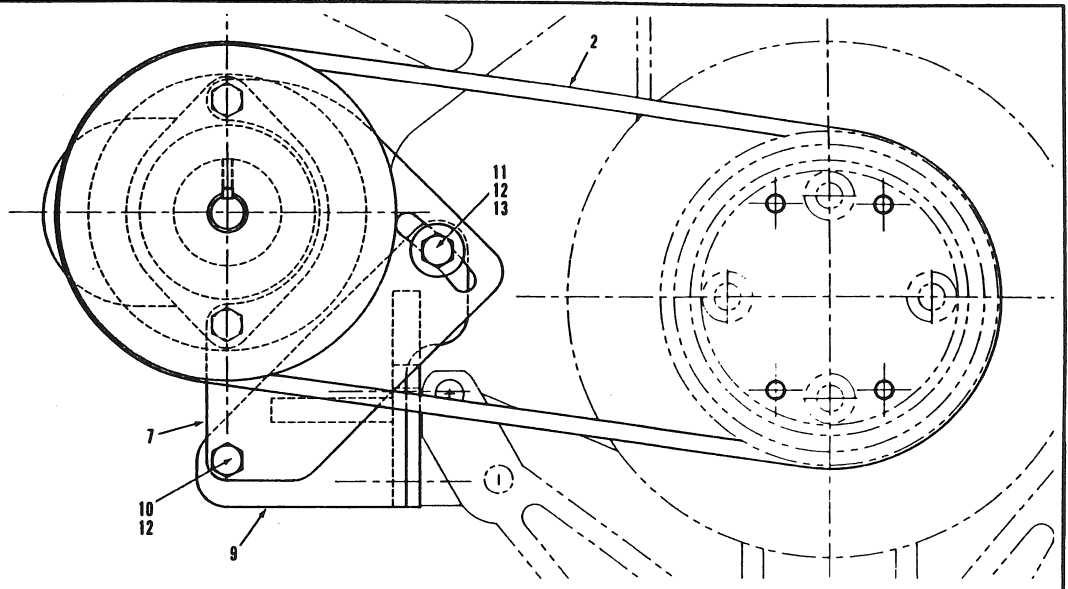
FOR LIST OF PARTS - TURN THIS PAGE

POUR LA LISTE DES PIÈCES - VOIR AU VERSO

PARA LA LISTA DE LAS PIEZAS - VER AL VERSO

USE ONLY CHAMPION ROAD MACHINERY APPROVED PARTS

| SECTION SECCION | | PAGE PAGINA | | ISSUE No. N° D'ÉMISSION N° DE EDICION | | CLUTCH MASTER CYLINDER & BOOSTER ASSEMBLY | | | MARCH 1989 | |
|--------------------|--|--|--------------------------------|---|-----------------|---|--|--------------------------------|-------------------------------|--|
| No. N° N° | PART No. N° DE PIÈCE N° DE PIEZA | DESCRIPTION DESCRIPTION DESCRIPCION | No. REQ. N° REQ. N° REQ. | REMARKS REMARQUES NOTAS | No. N° N° | PART No. N° DE PIECE N° DE PIEZA | DESCRIPTION DESCRIPTION DESCRIPCION | No. REQ. N° REQ. N° REQ. | REMARKS REMARQUES NOTAS | |
| 1 | *49326 | MASTER CYLINDER & POWER BOOSTER ASSEMBLY - INCLUDES ITEMS 2 TO 44 | 1 | | 21 | 36412 36494 | POWER BOOSTER ASSEMBLY - INCLUDES ITEMS 22 TO 42 REPAIR KIT - BOOSTER ASSEMBLY - INCLUDES ITEMS 22 TO 30 | 1 A.R. | | |
| 2 | *49327 | MASTER CYLINDER ASSEMBLY - INCLUDES ITEMS 3 TO 18 | 1 | | 22 | | O RING | 1 | | |
| | 33931 | REPAIR KIT - MASTER CYLINDER - INCLUDES ITEMS 3 TO 12 (DISCARD CHECK VALVE & VALVE SEAT) | A.R. | | 23 | | PISTON RING | 1 | | |
| | | | | | 24 | | O RING | 1 | | |
| | | | | | 25 | | SPRING | 1 | | |
| | | | | | 26 | | SPRING | 1 | | |
| | | | | | 27 | | CUP | 3 | | |
| | | | | | 28 | | BACK-UP RING | 3 | | |
| 3 | | RETAINING RING | 1 | | 29 | | RETAINING RING | 1 | | |
| 4 | | CUP | 1 | | 30 | 36497 | BOOT | 1 | | |
| 5 | | PISTON | 1 | | 31 | 36498 | PUSH ROD | 1 | | |
| 6 | | BACK-UP RING | 1 | | 32 | | END PLUG | 1 | | |
| 7 | | O RING | 1 | | 33 | | PISTON | 1 | | |
| 8 | | PISTON | 1 | | 34 | | HOUSING | 1 | | |
| 9 | | CUP | 2 | | 35 | | PISTON | 1 | | |
| 10 | | CUP | 1 | | 36 | | VALVE STEM | 1 | | |
| 11 | | RETAINER | 1 | | 37 | | SPRING | 1 | | |
| 12 | | SPRING | 1 | | 38 | | PISTON | 1 | | |
| 13 | | HOUSING | 1 | | 39 | | END PLUG | 1 | | |
| 14 | *49992 | HOOK | 1 | | 40 | | RETAINER | 1 | | |
| 15 | *49993 | COVER | 1 | | 41 | | SNUBBER | 1 | | |
| 16 | *49994 | DIAPHRAGM | 1 | | 42 | | RETAINING RING | 1 | | |
| 17 | 105C-1208 | WASHER | 1 | | 43 | 36463 | CLEVIS | 1 | | |
| 18 | 105D-0408 | CONNECTOR | 1 | | 44 | 31D-08 | JAM NUT | 1 | | |
| 19 | 50A-0610 | BOLT | 3 | | | | | | | |
| 20 | 14A-06 | LOCKWASHER | 3 | | | | | | | |



6CT 8.3

L-10

CLUTCH PUMP - MODELS 720 THRU 780A

MARCH 1989

ISSUE No.
N° D'ÉMISSION
N° DE EDICION 1

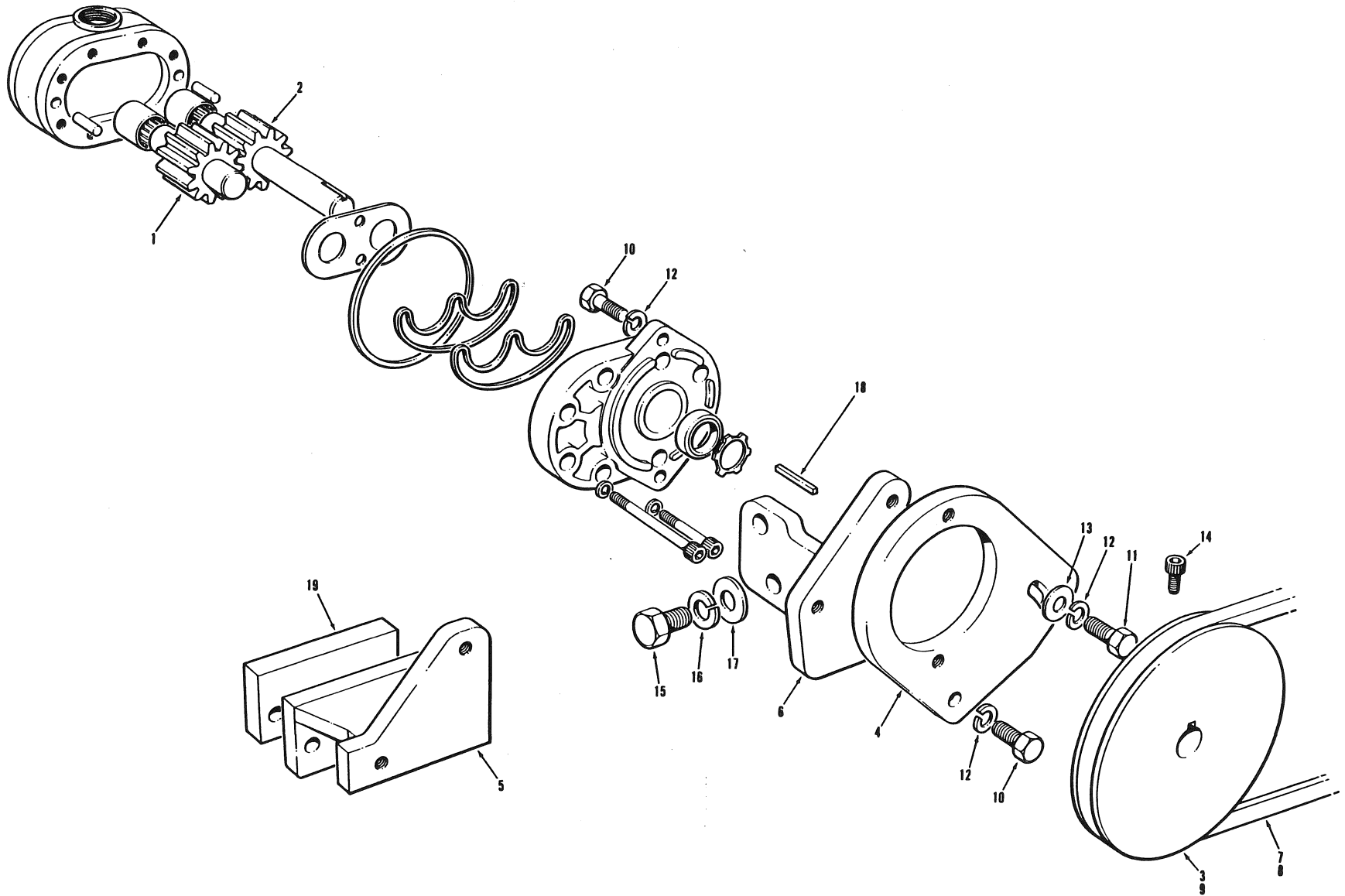
FOR LIST OF PARTS - TURN THIS PAGE POUR LA LISTE DES PIÈCES - VOIR AU VERSO PARA LA LISTA DE LAS PIEZAS - VER AL VERSO

EFFECTIVE SERIAL NUMBERS)
NUMEROS) DE SERIE EFFECTIFS)
NUMEROS) DE SERIE EFFECTIVOS)
Models 720 thru 730A: 19586 & UP
Models 740 thru 780A: 19651 & UP

700 SERIES
SERIE 700

SECTION 5 PAGE
SECCION 5 PAGINA
9

| SECTION SECCION | | PAGE PAGINA | | ISSUE No. N° D'ÉMISSION N° DE EDICION | | CLUTCH PUMP - MODELS 720 THRU 780A | | | MARCH 1989 | |
|--------------------|--|--|--------------------------------|---|-----------------|--|---|--------------------------------|-------------------------------|--|
| No. N° N° | PART No. N° DE PIÈCE N° DE PIEZA | DESCRIPTION DÉSCRIPTION DESCRIPCION | No. REQ. N° REQ. N° REQ. | REMARKS REMARQUES NOTAS | No. N° N° | PART No. N° DE PIÈCE N° DE PIEZA | DESCRIPTION DÉSCRIPTION DESCRIPCION | No. REQ. N° REQ. N° REQ. | REMARKS REMARQUES NOTAS | |
| 1 | 51446 | PUMP | 1 | | | | | | | |
| 2 | 51447 | V-BELT | 1 | | | | | | | |
| 3 | 52456 | IDLER GEAR | 1 | | | | | | | |
| 4 | 52457 | DRIVESHAFT | 1 | | | | | | | |
| 5 | 52458 | REPAIR KIT - INCLUDES SEALS, WEAR PLATE, SEALING RING, WASHERS, KEY AND RING | 1 | | | | | | | |
| 6 | 51224 | SPACER | 1 | L-10 | | | | | | |
| 7 | 53454 | PIVOT PLATE | 1 | | | | | | | |
| 8 | 51227 | PULLEY | 1 | | | | | | | |
| 9 | 51305 | BRACKET | 1 | 6CT8.3 | | | | | | |
| 10 | 50A-0608 | BOLT | 1 | | | | | | | |
| 11 | 50A-0610 | BOLT | 3 | | | | | | | |
| 12 | 14A-06 | LOCKWASHER | 4 | | | | | | | |
| 13 | 14C-06 | FLATWASHER | 1 | | | | | | | |
| 14 | 30A-06 | NUT | 2 | | | | | | | |
| 15 | 50D-0406 | SETSCREW | 1 | | | | | | | |
| 16 | 350A-12040 | BOLT | 2 | 6CT8.3 | | | | | | |
| 17 | 314A-12 | LOCKWASHER | 2 | 6CT8.3 | | | | | | |
| 18 | 314C-12 | FLATWASHER | 2 | 6CT8.3 | | | | | | |
| 19 | 350A-10045 | BOLT | 1 | L-10 | | | | | | |
| 20 | 350A-10180 | BOLT | 1 | L-10 | | | | | | |
| 21 | 314A-10 | LOCKWASHER | 2 | L-10 | | | | | | |



EFFECTIVE SERIAL NUMBERS)
NUMEROSI DE SERIE EFFECTIVIS)
NUMEROSI DE SERIE EFFECTIVIS)

19885 TO 20804 & 20807

700 SERIES
SERIE 700

SECTION 5 PAGE 9
SECCION 5 PAGINA 9

ISSUE No.
N° D'ÉMISSION
N° DE EDICION 2 REVISION B

CLUTCH PUMP - Models 720 thru 780A

AUGUST 1990

FOR LIST OF PARTS - TURN THIS PAGE

POUR LA LISTE DES PIÈCES - VOIR AU VERSO

PARA LA LISTA DE LAS PIEZAS - VER AL VERSO

| SECTION SECCION | | PAGE PAGINA | | ISSUE No. N° D'ÉMISSION N° DE EDICION | | 2 REVISION B | | CLUTCH PUMP - Models 720 thru 780A | | | AUGUST 1990 | |
|--------------------|--|---|--|---|-------------------------------|-----------------|--|---|--|--------------------------------|-------------------------------|--|
| No. N° N° | PART No. N° DE PIÈCE N° DE PIEZA | DESCRIPTION DESCRIPTION DESCRIPCION | | No. REQ. N° REQ. N° REQ. | REMARKS REMARQUES NOTAS | No. N° N° | PART No. N° DE PIÈCE N° DE PIEZA | DESCRIPTION DESCRIPTION DESCRIPCION | | No. REQ. N° REQ. N° REQ. | REMARKS REMARQUES NOTAS | |
| | *59140 | PUMP ASSEMBLY - INCLUDES ITEMS 1 & 2 | | 1 | | | | | | | | |
| | 52458 | REPAIR KIT FOR 59140 - INCLUDES SEALS, WEAR PLATE, SEALING RING, WASHERS, KEY AND RING | | 1 | | | | | | | | |
| 1 | 52456 | IDLER GEAR | | 1 | | | | | | | | |
| 2 | *58484 | DRIVE SHAFT | | 1 | | | | | | | | |
| 3 | 51227 | PULLEY | | 1 | 720 thru 730A | | | | | | | |
| 4 | 54950 | PIVOT PLATE | | 1 | | | | | | | | |
| 5 | 53577 | BRACKET | | 1 | 740 thru 780A | | | | | | | |
| 6 | 53594 | BRACKET | | 1 | 720 thru 730A | | | | | | | |
| 7 | 53598 | BELT | | 1 | 740 thru 780A | | | | | | | |
| 8 | 53599 | BELT | | 1 | 720 thru 730A | | | | | | | |
| 9 | 53632 | PULLEY | | 1 | 740 thru 780A | | | | | | | |
| 10 | 50A-0610 | BOLT | | 3 | | | | | | | | |
| 11 | 50A-0612 | BOLT | | 1 | | | | | | | | |
| 12 | 14A-06 | LOCKWASHER | | 4 | | | | | | | | |
| 13 | 14C-06 | FLATWASHER | | 1 | | | | | | | | |
| 14 | 50D-0406 | SETSCREW | | 1 | | | | | | | | |
| 15 | 350A-12040 | BOLT | | 2 | | | | | | | | |
| 16 | 314A-12 | LOCKWASHER | | 2 | 720 thru 730A | | | | | | | |
| 17 | 314C-12 | FLATWASHER | | 2 | | | | | | | | |
| 18 | 38291 | KEY | | 1 | | | | | | | | |
| 19 | 56638 | SPACER | | 1 | 740 thru 780A | | | | | | | |